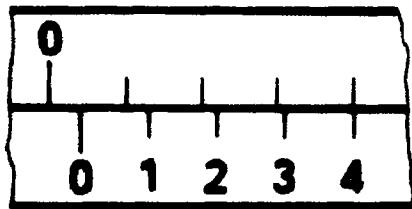
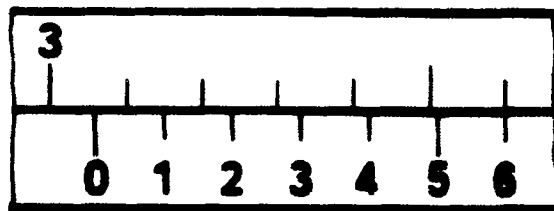


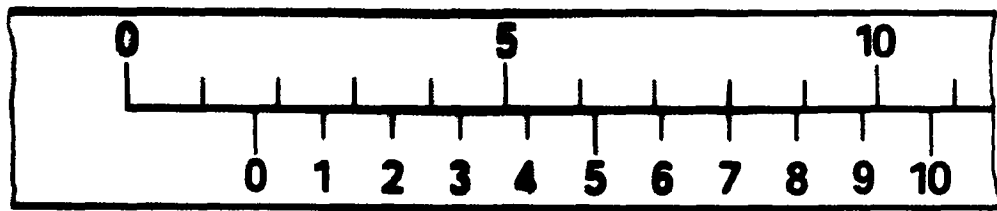
②



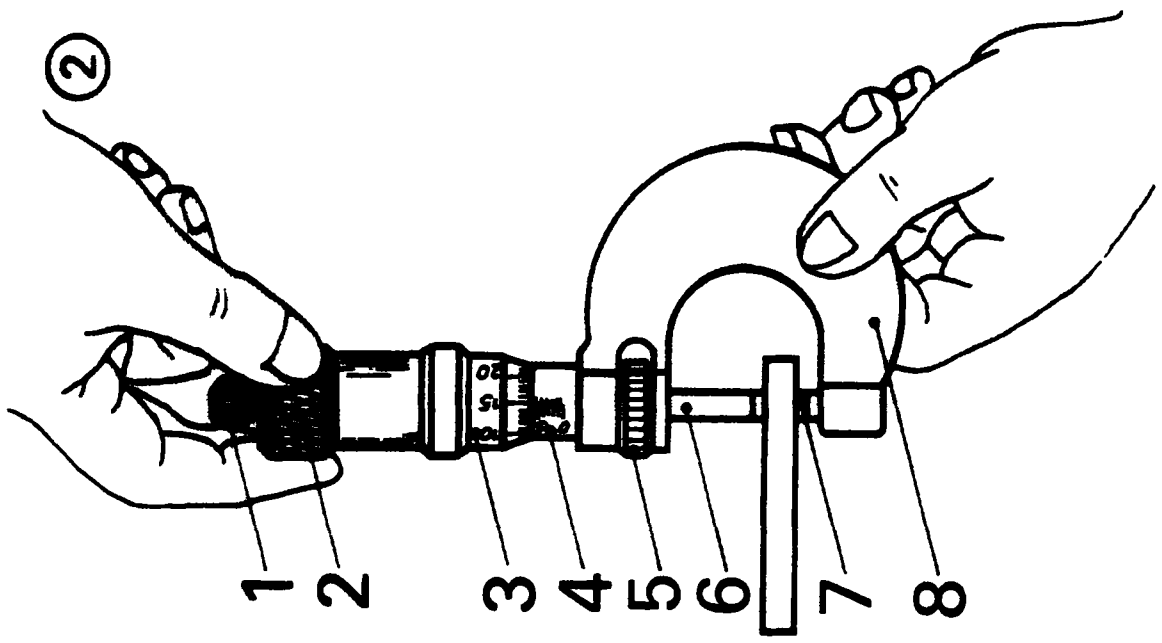
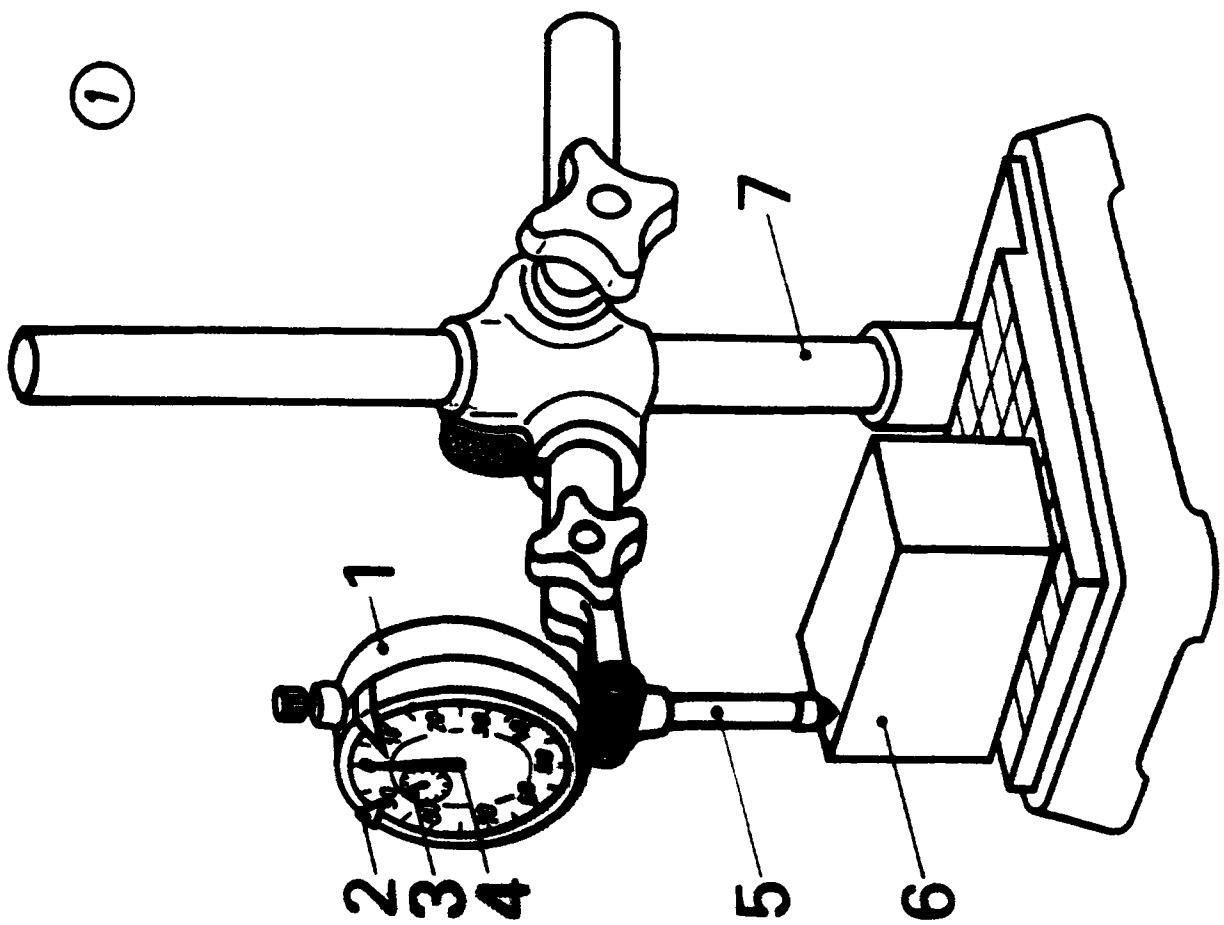
③

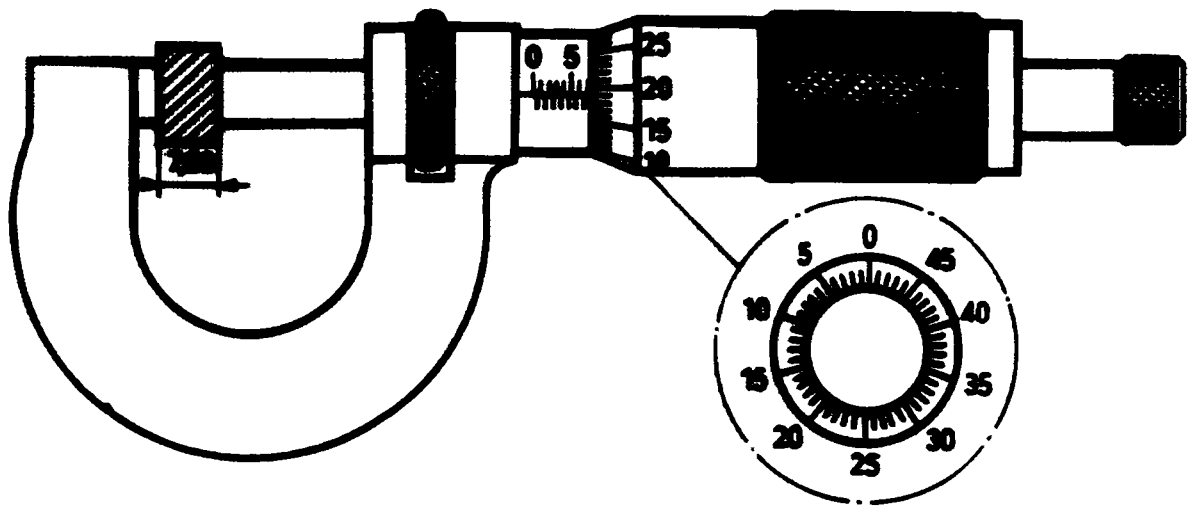


④

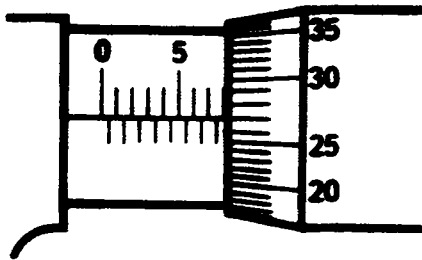


⑤

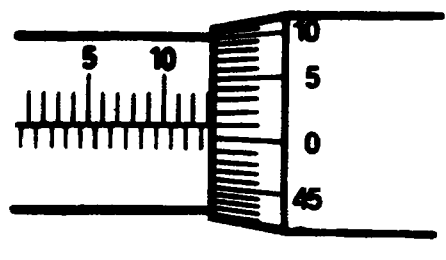




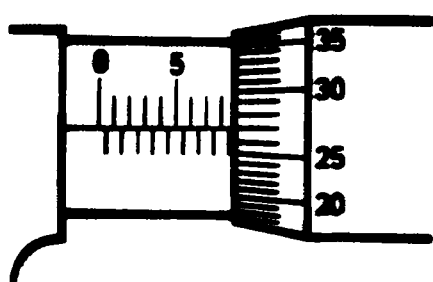
①



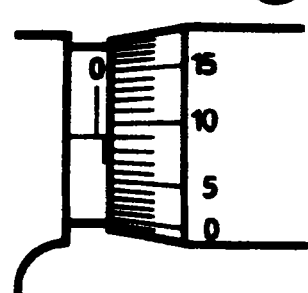
②

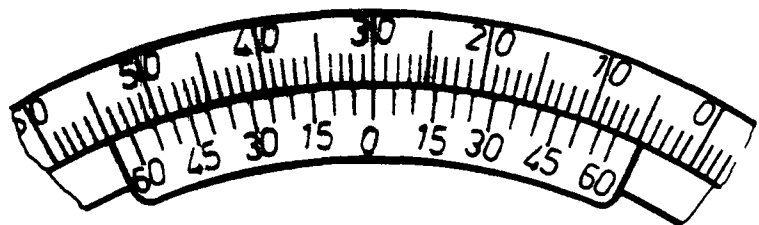
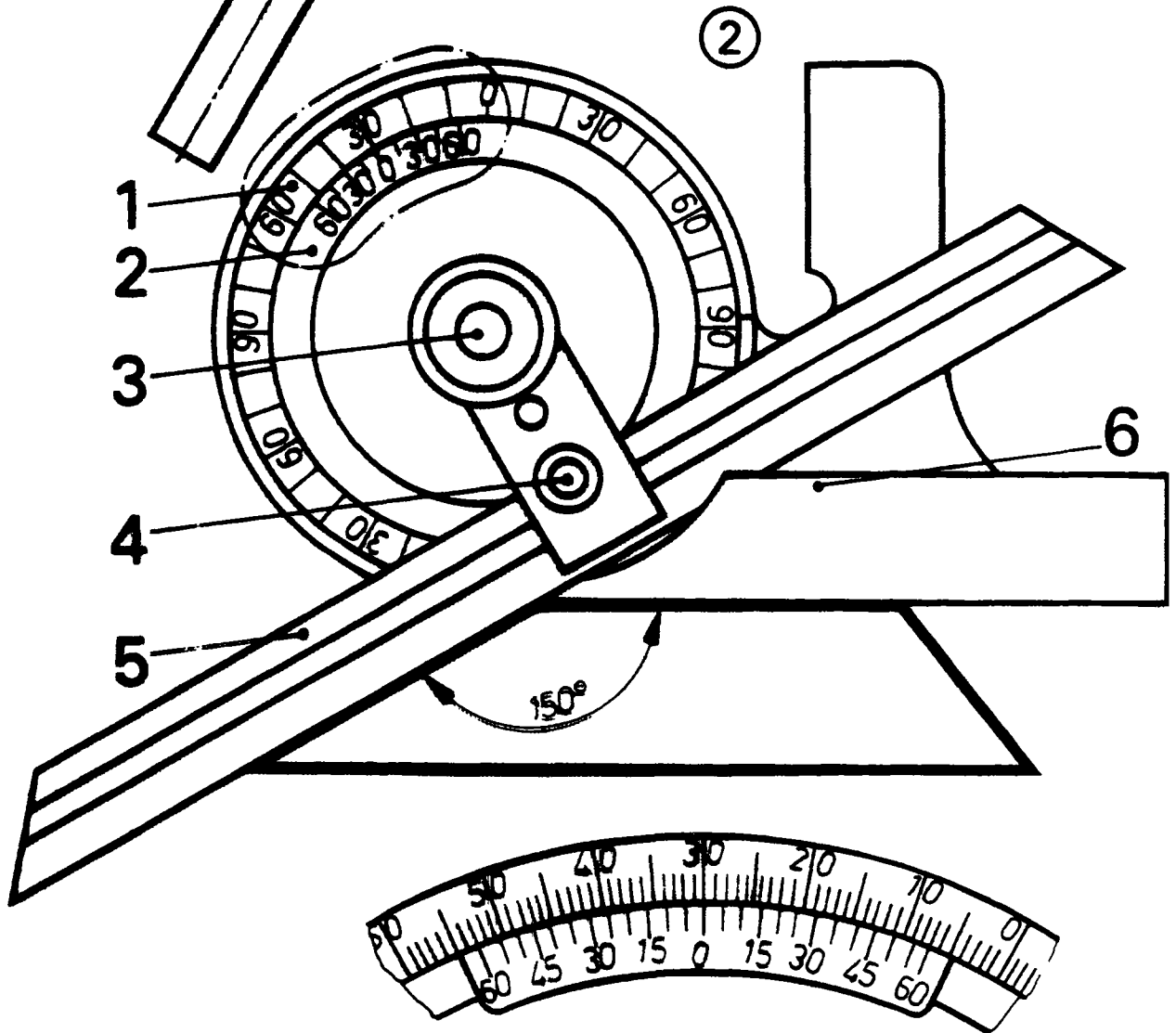
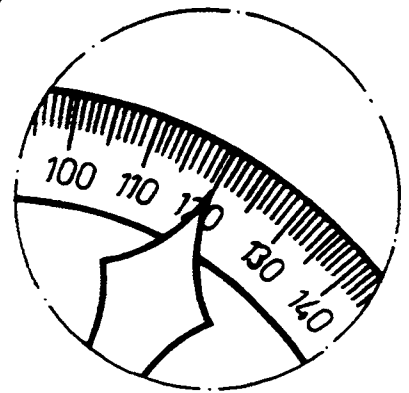
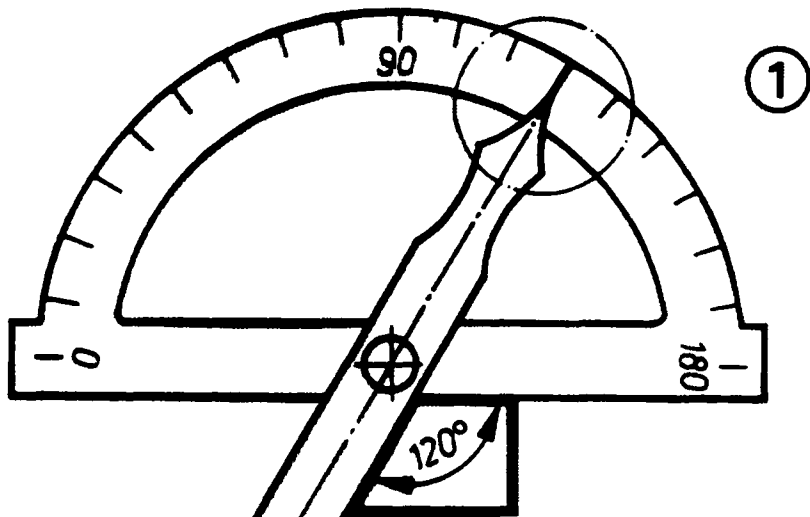


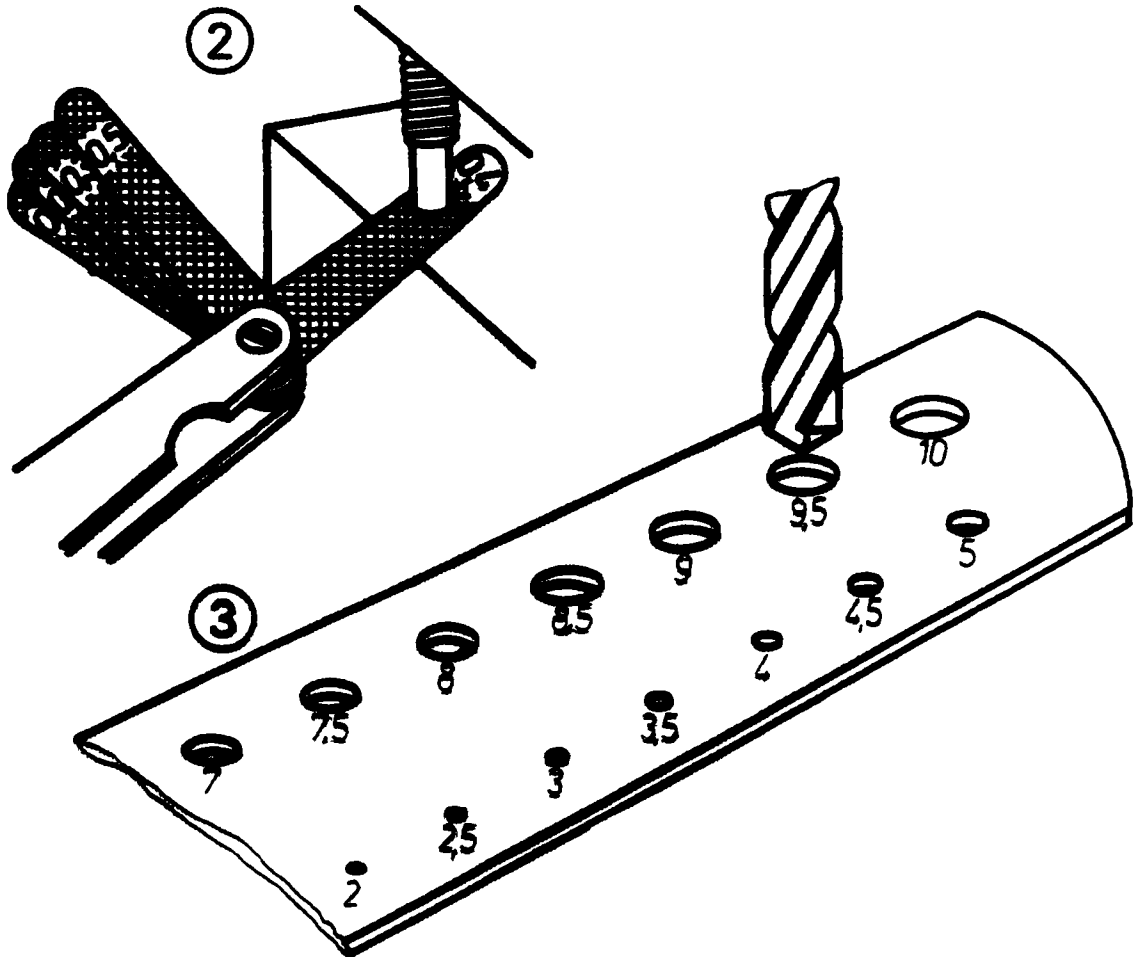
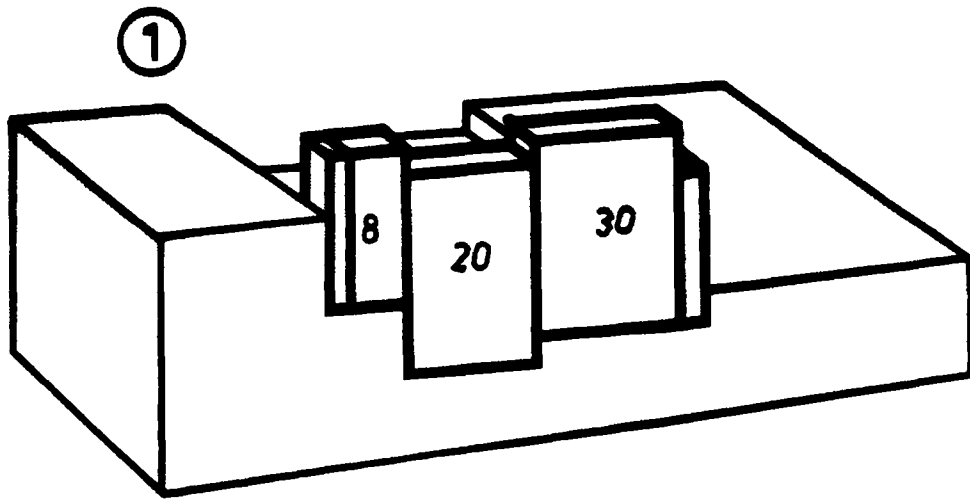
③

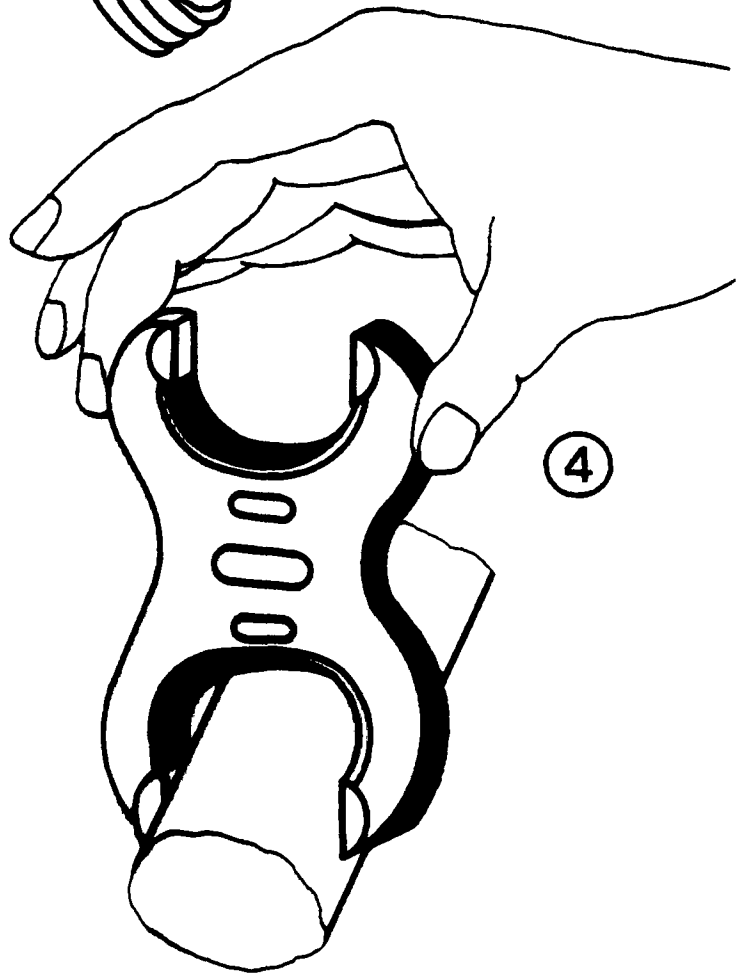
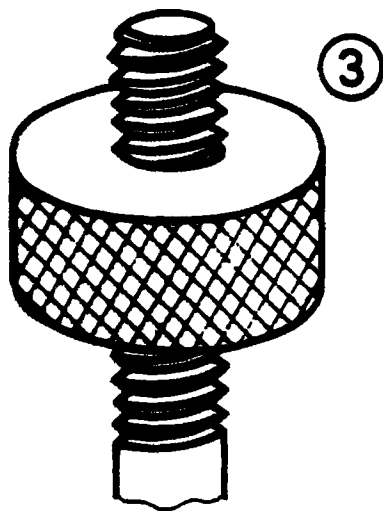
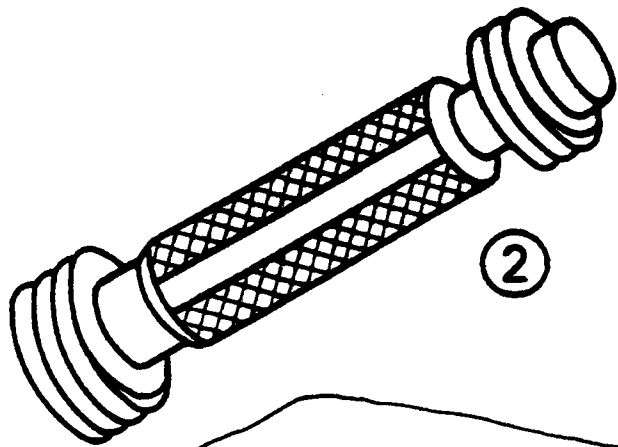
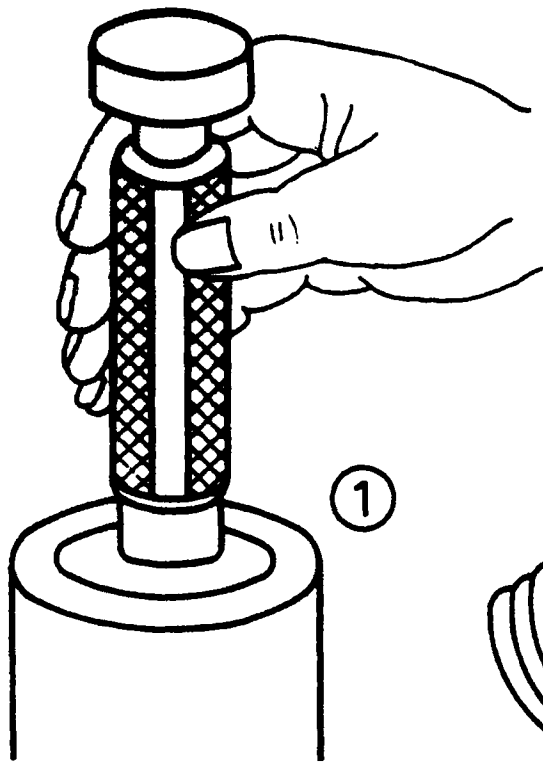


④

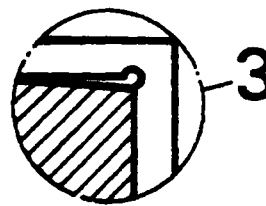
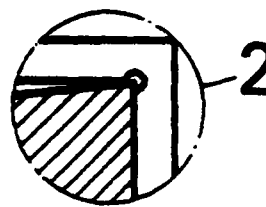
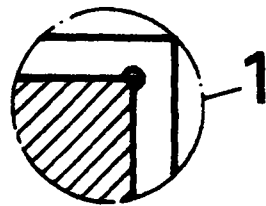
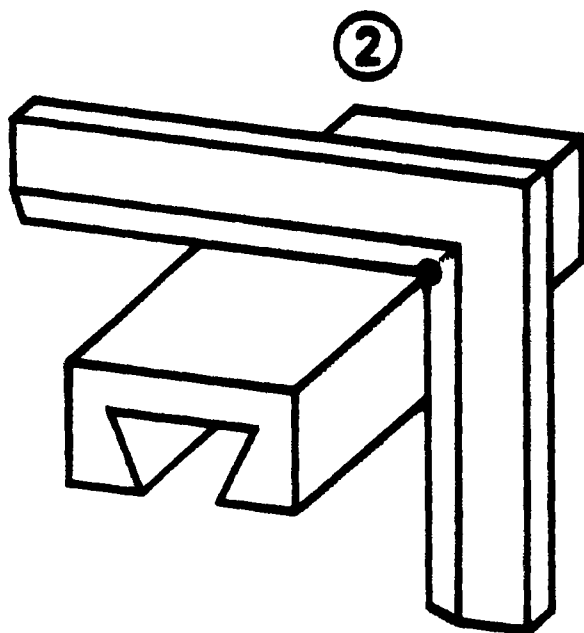
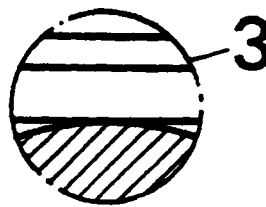
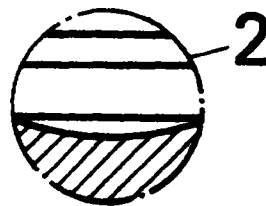
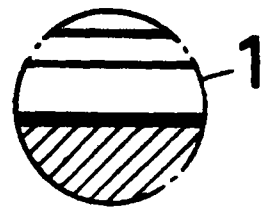
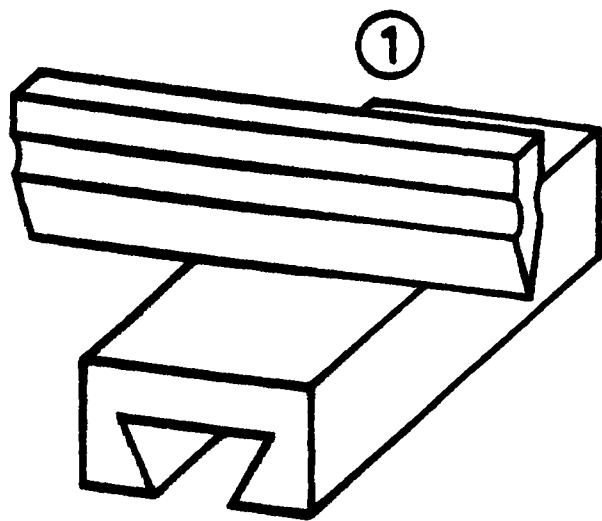


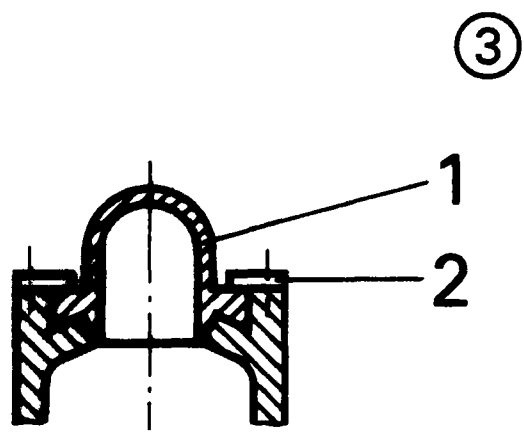
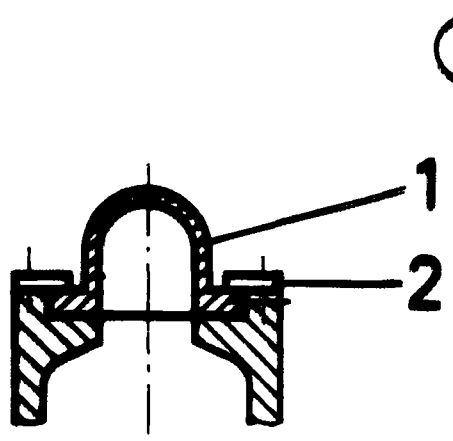
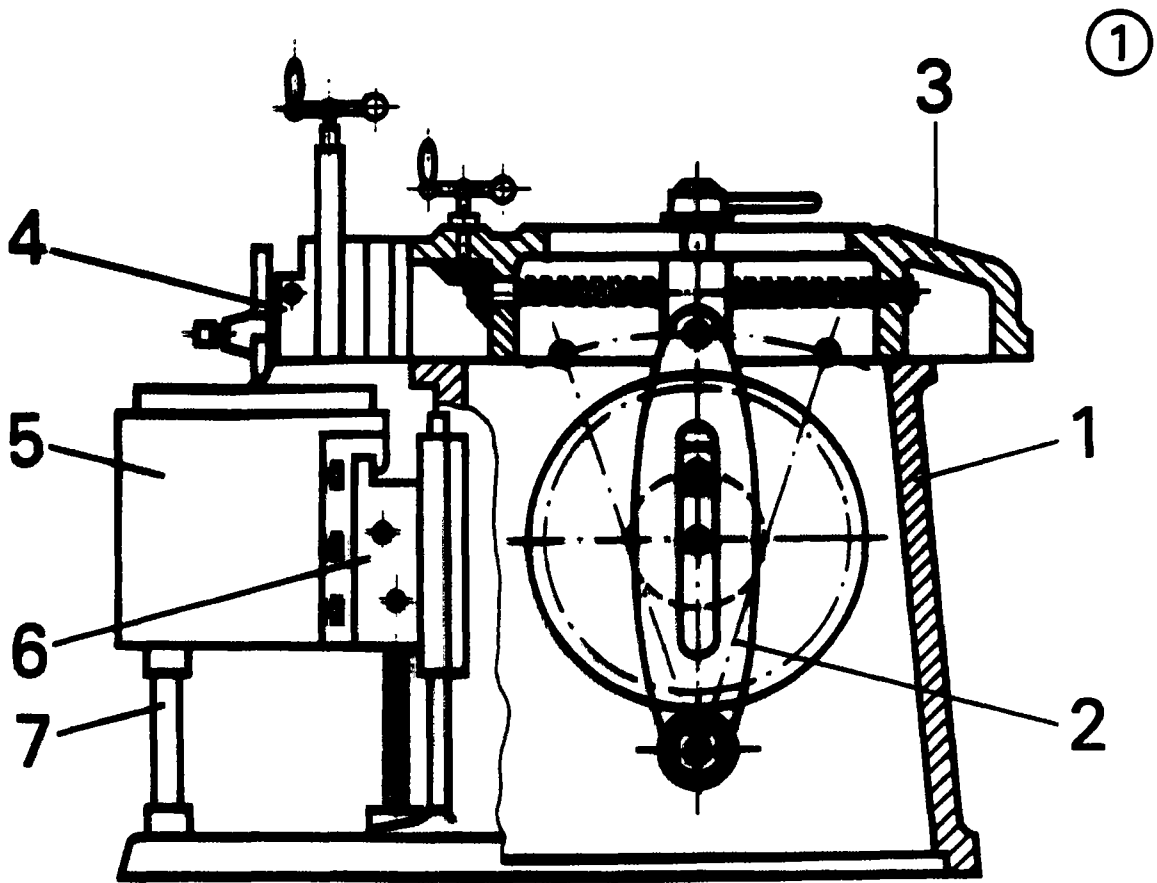


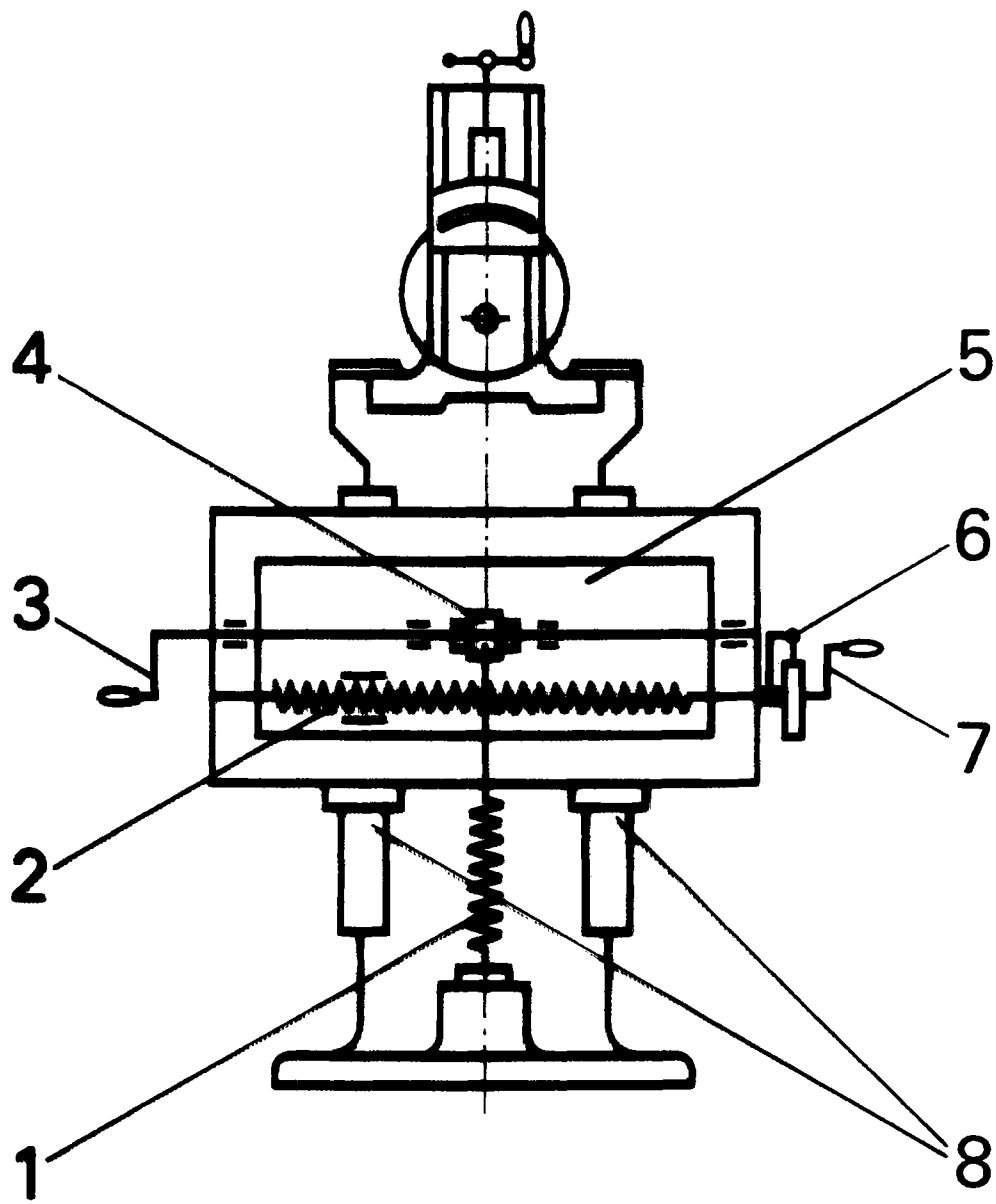


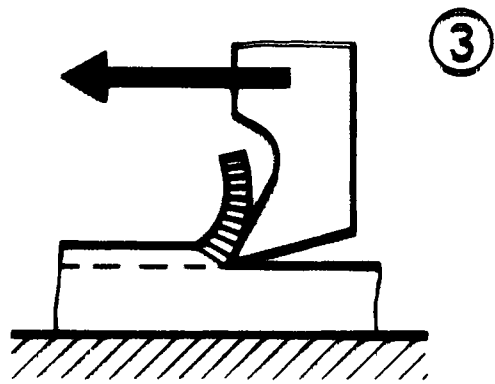
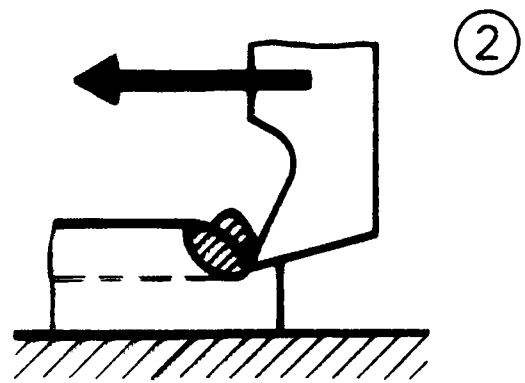
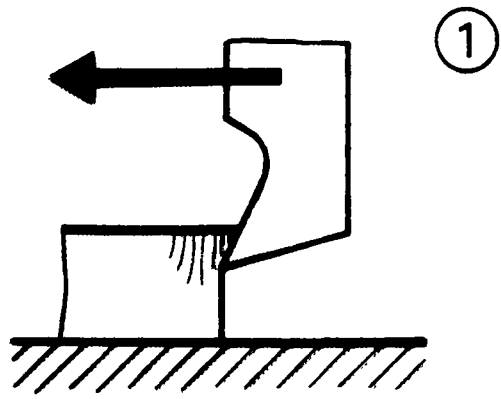


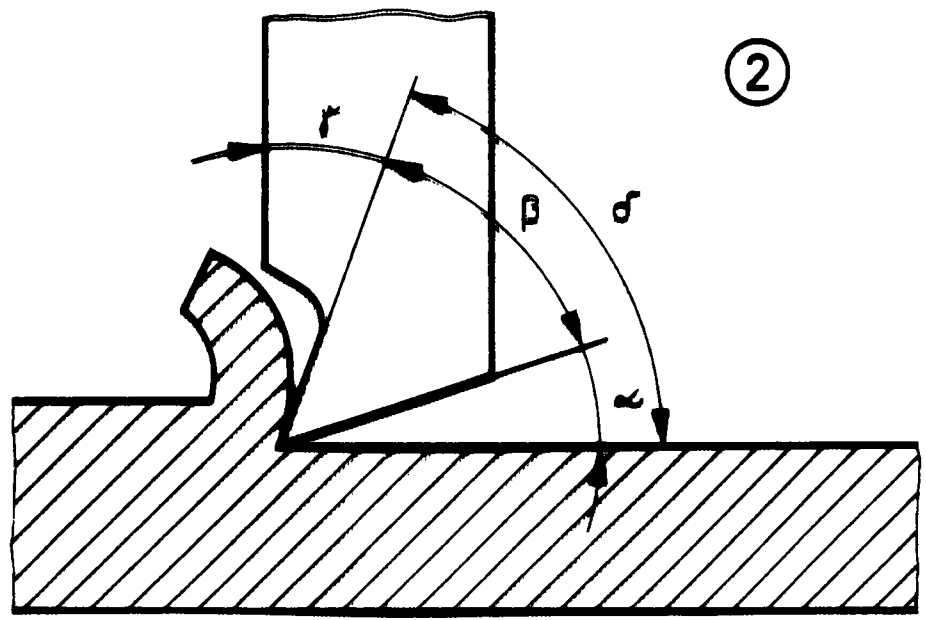
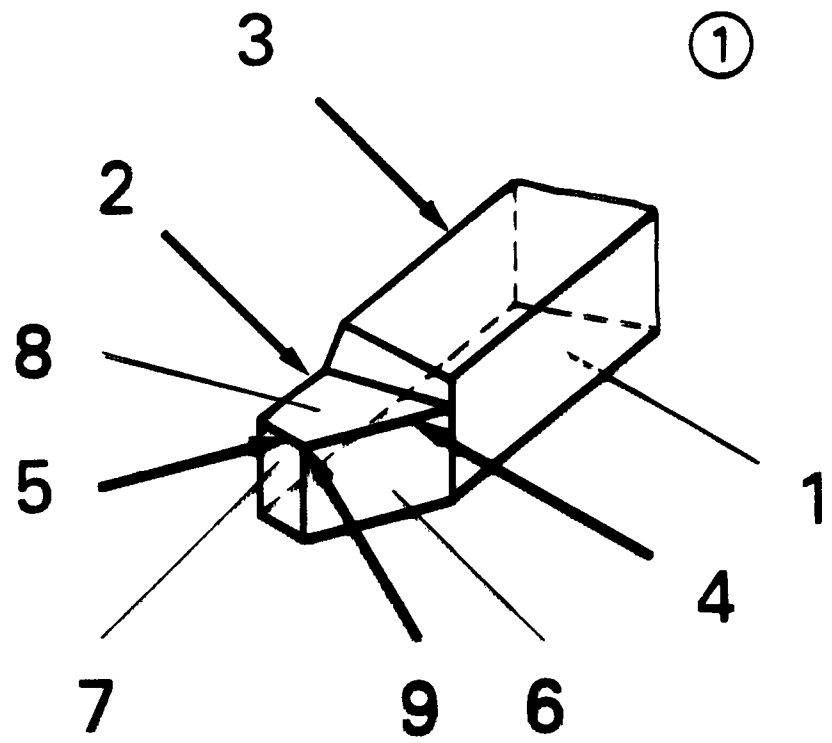




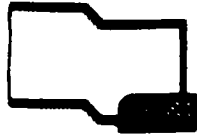




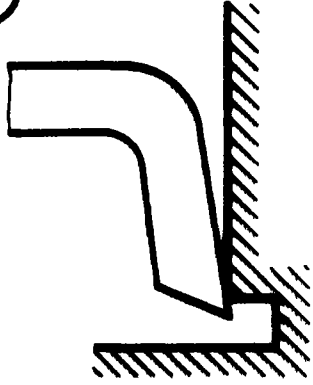




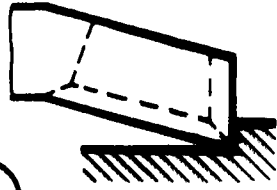
④



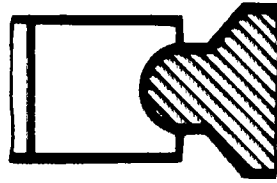
③



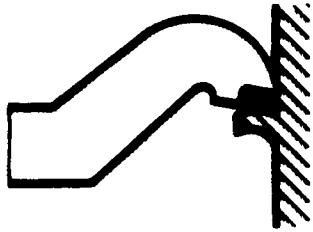
⑩



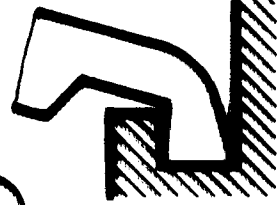
⑨



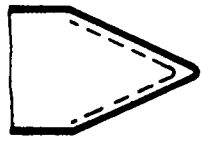
⑧



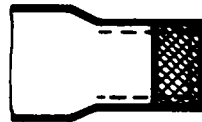
⑦



⑭



⑬



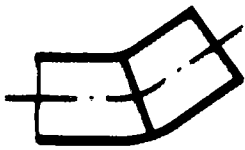
⑫



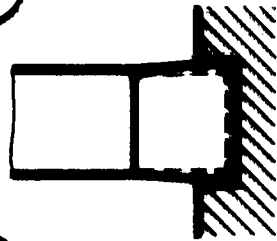
⑪



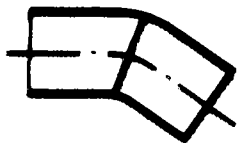
②



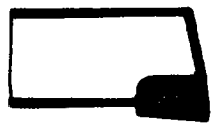
⑥

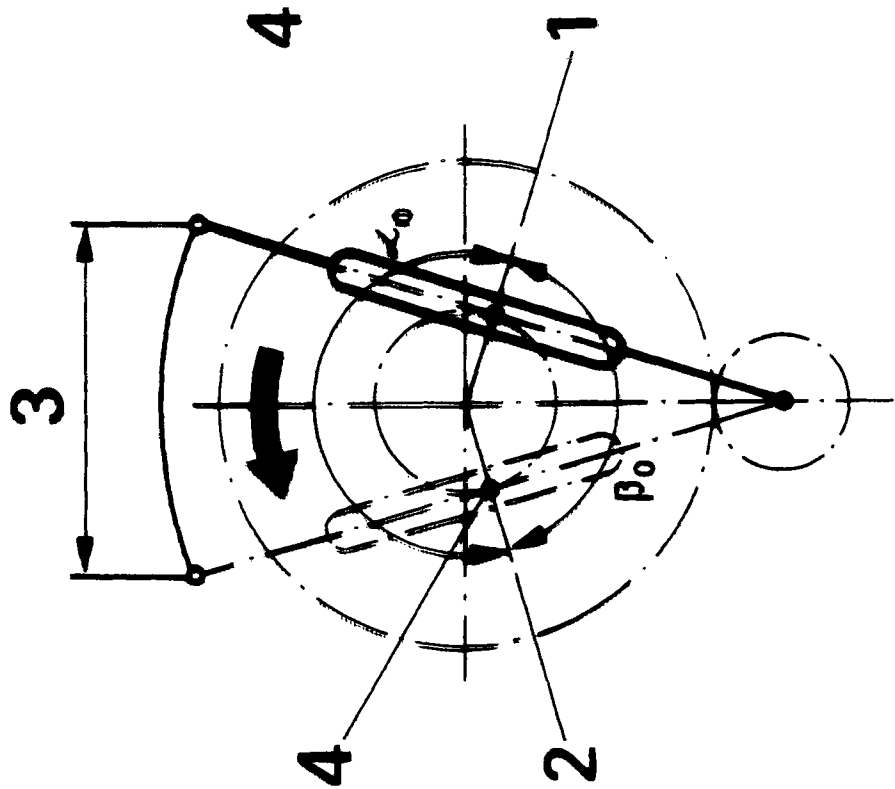
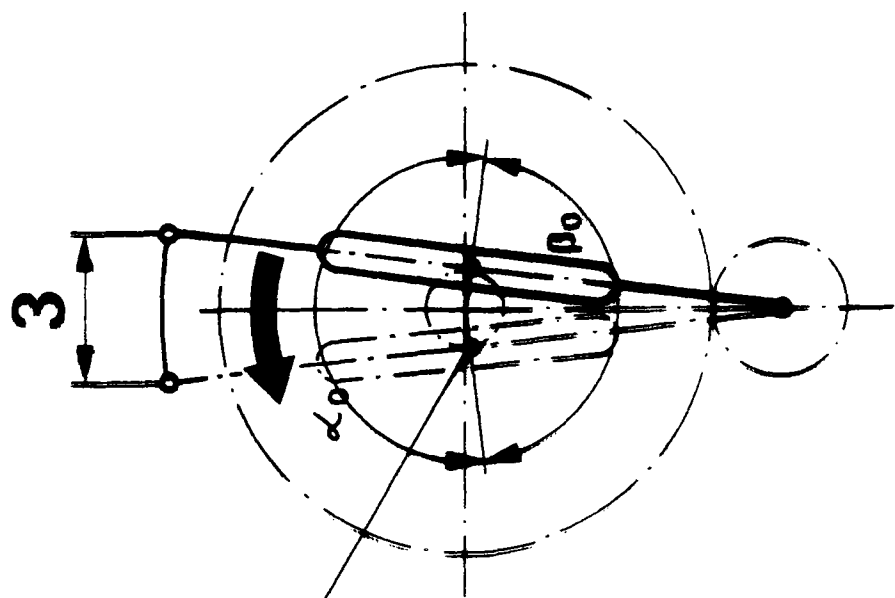


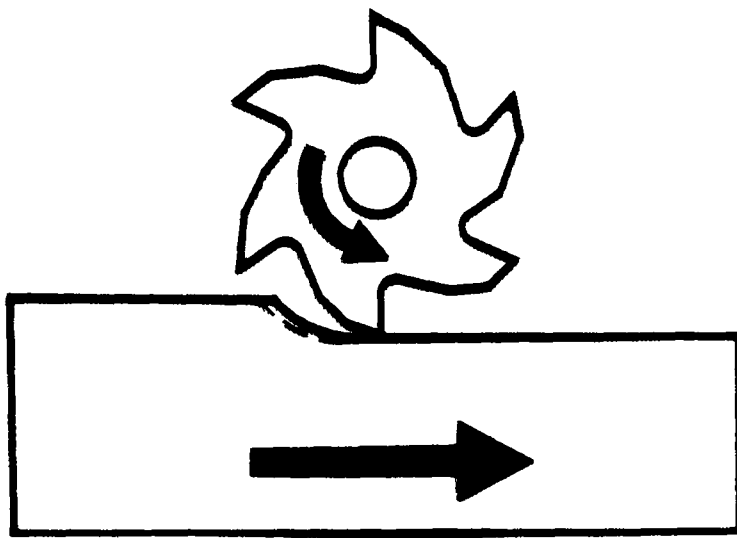
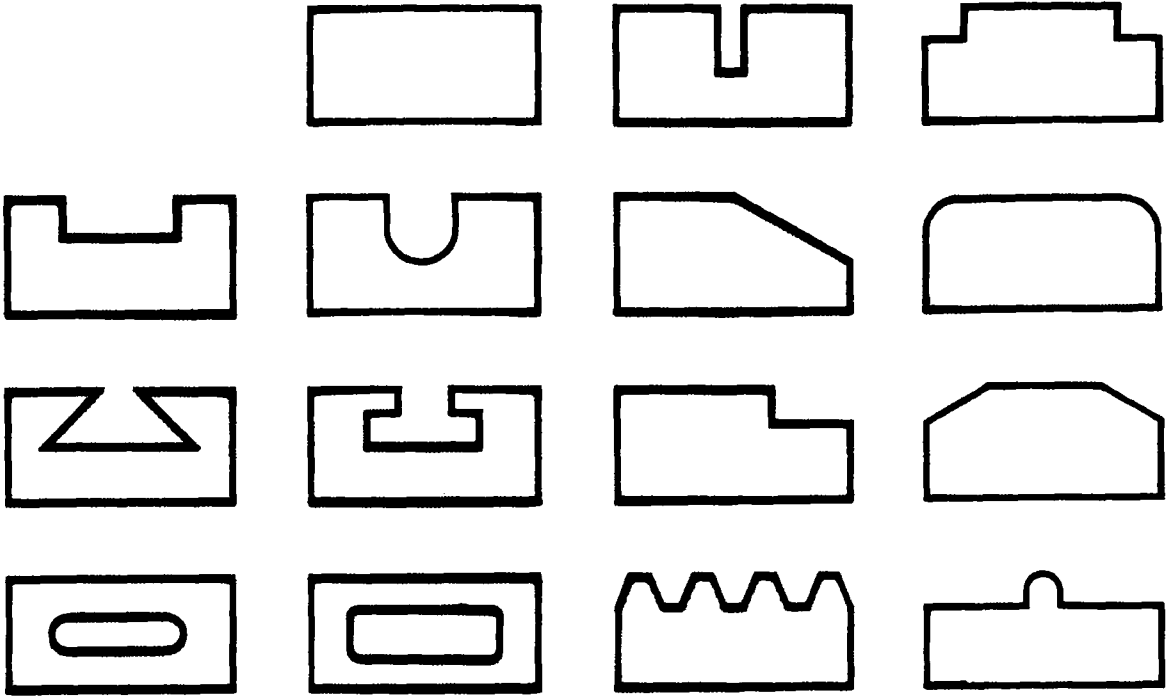
①



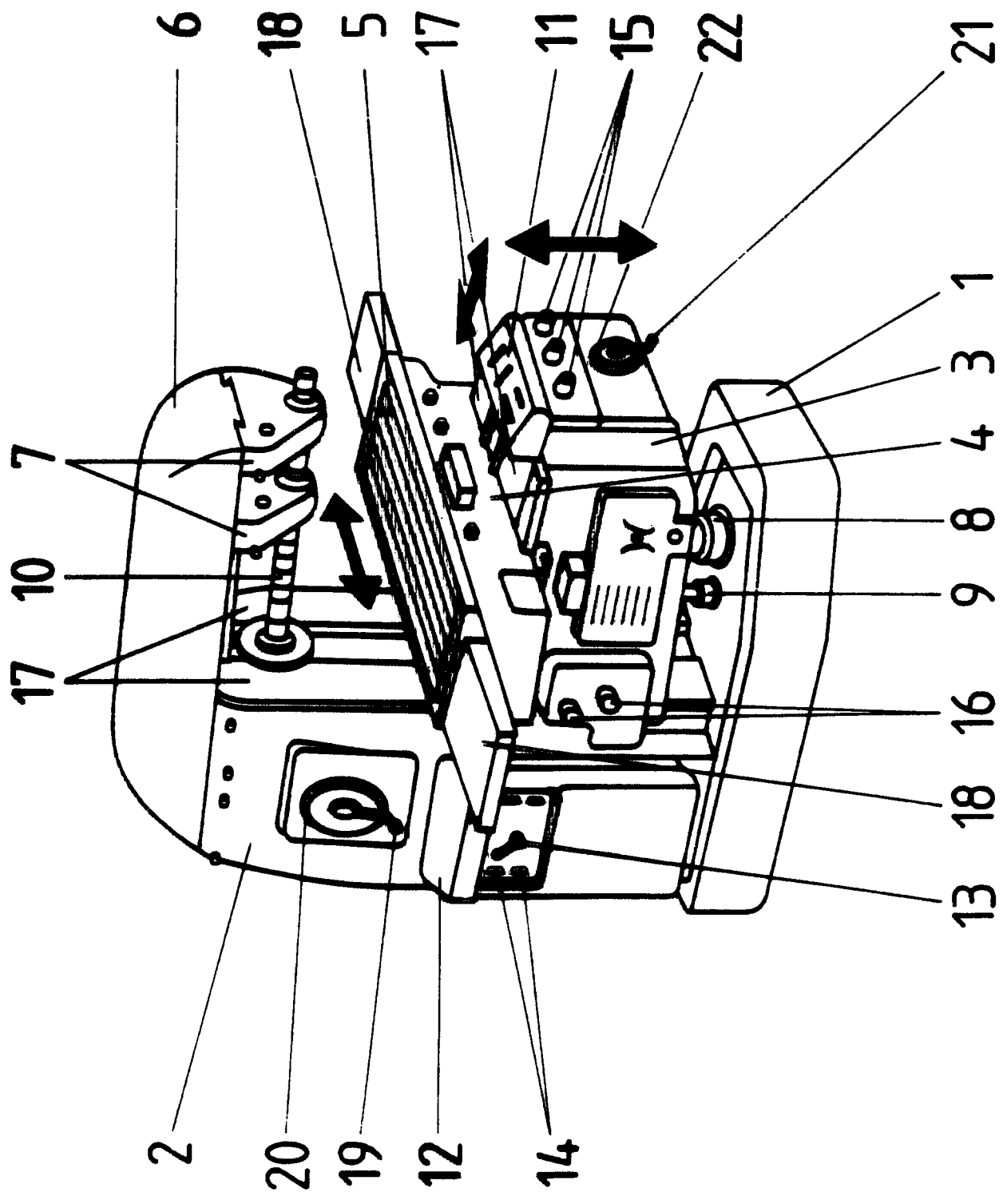
⑤

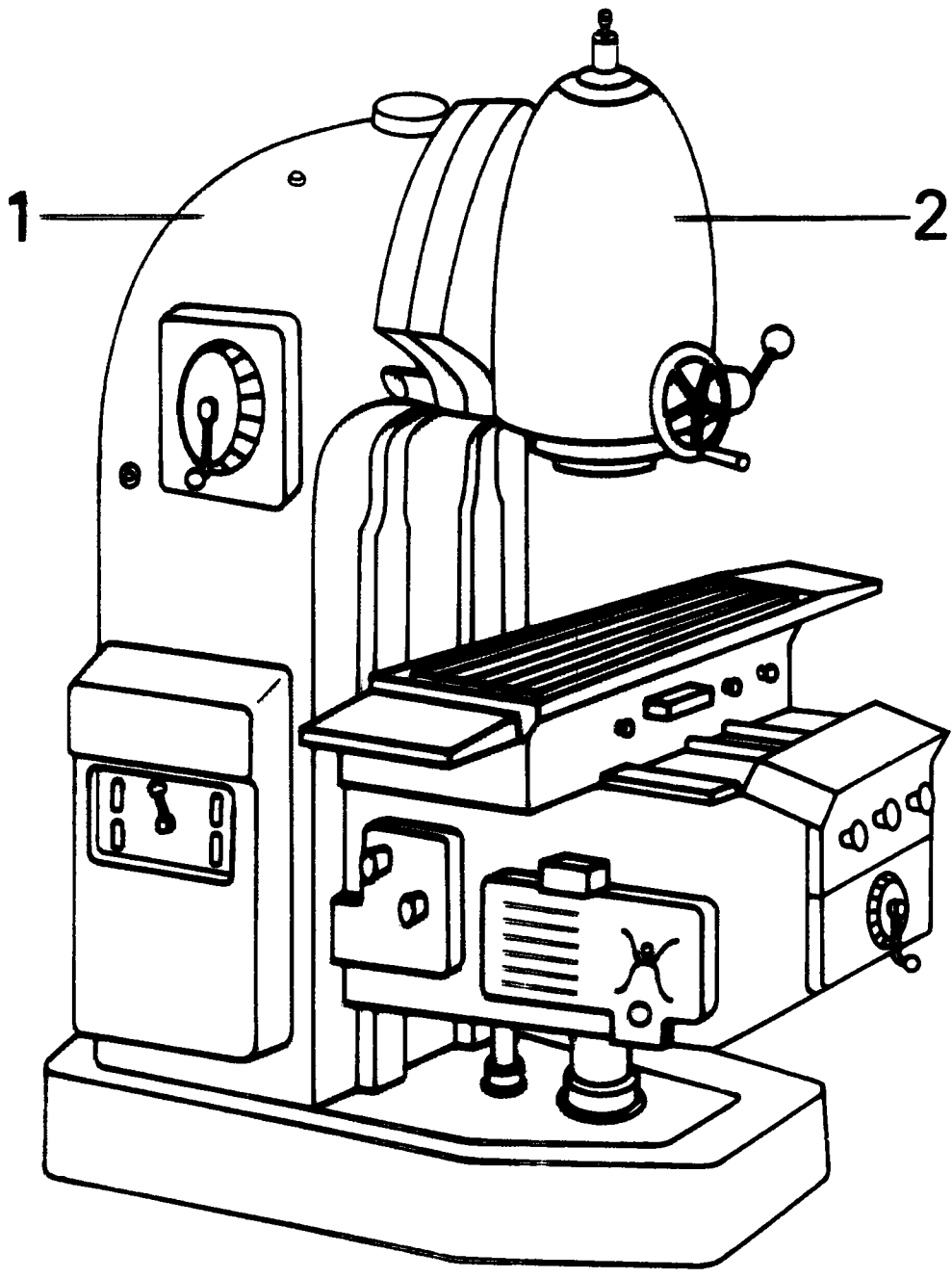




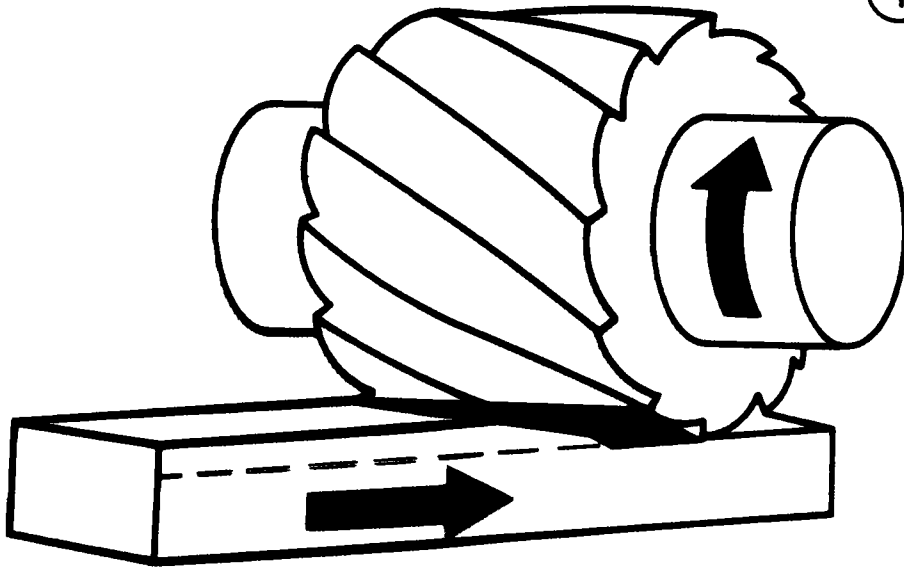




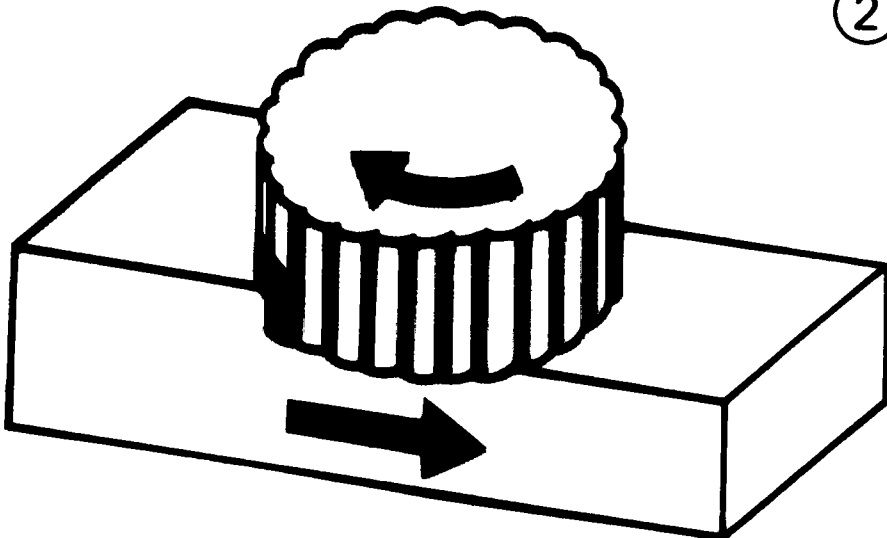




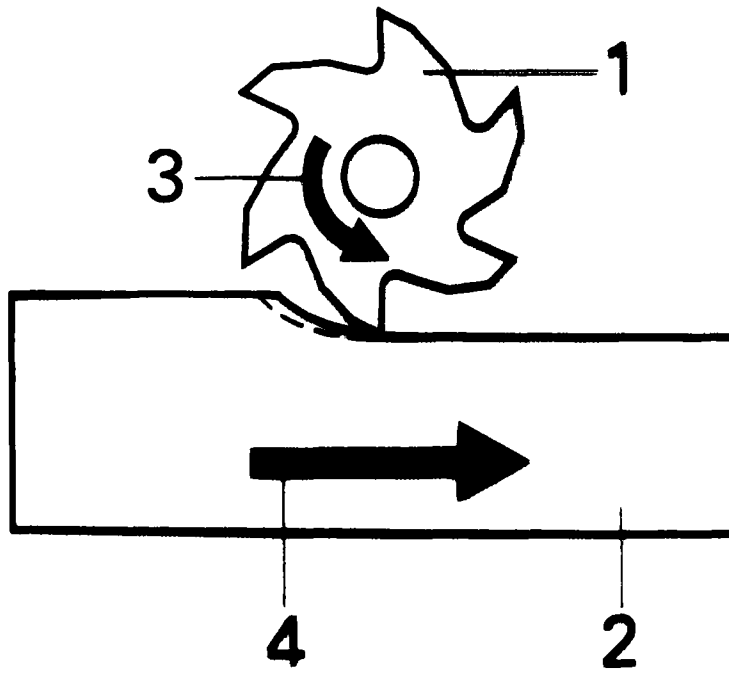
①



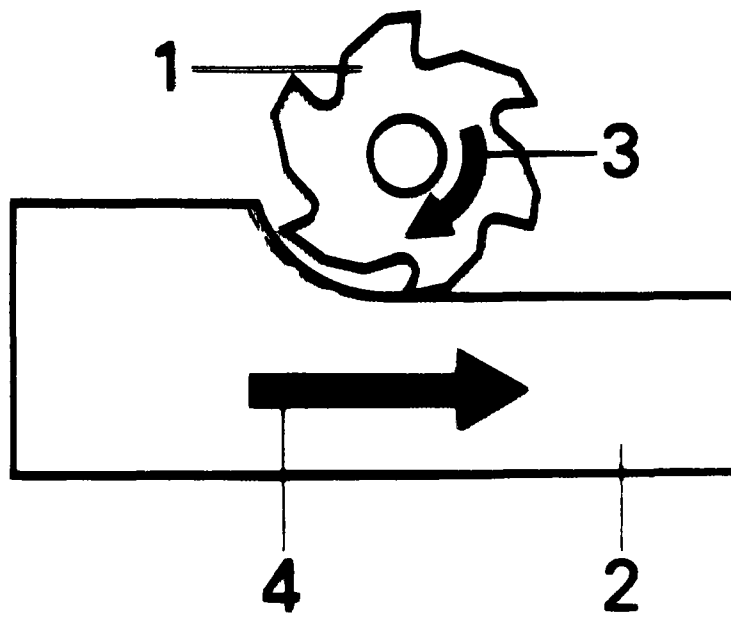
②



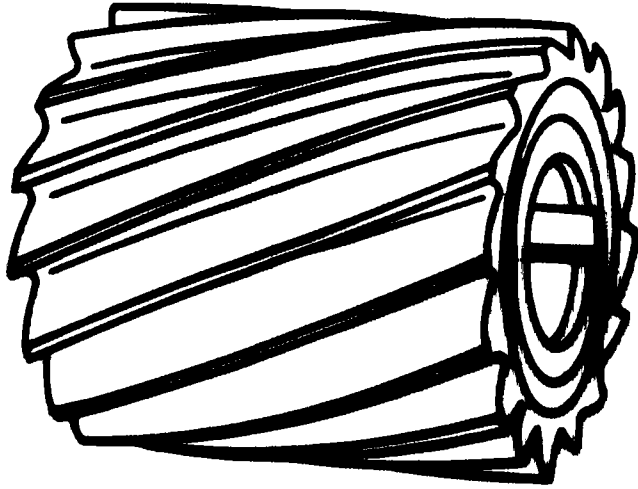
①



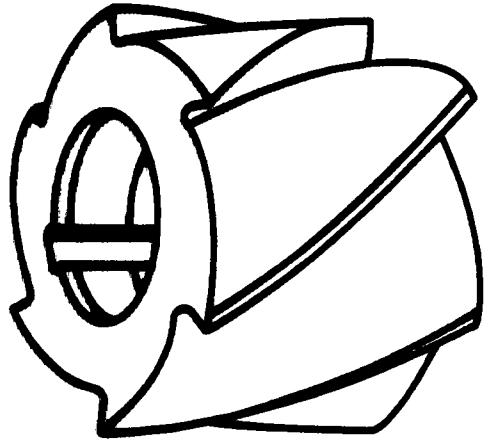
②



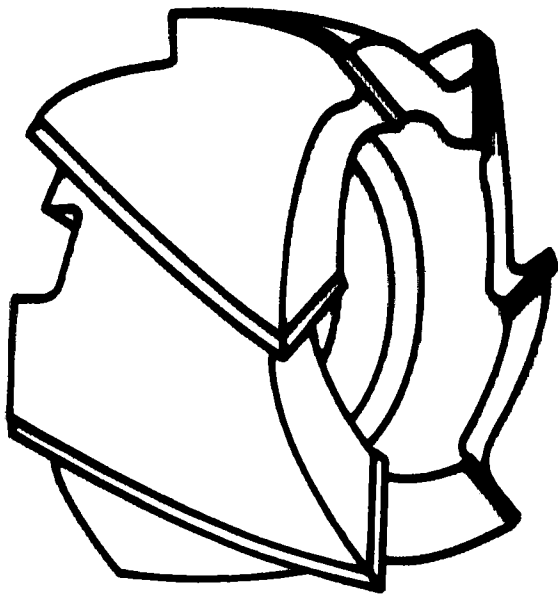
①



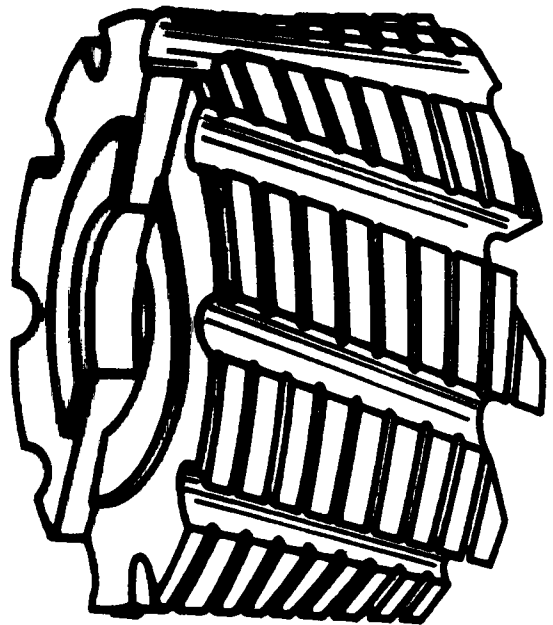
②

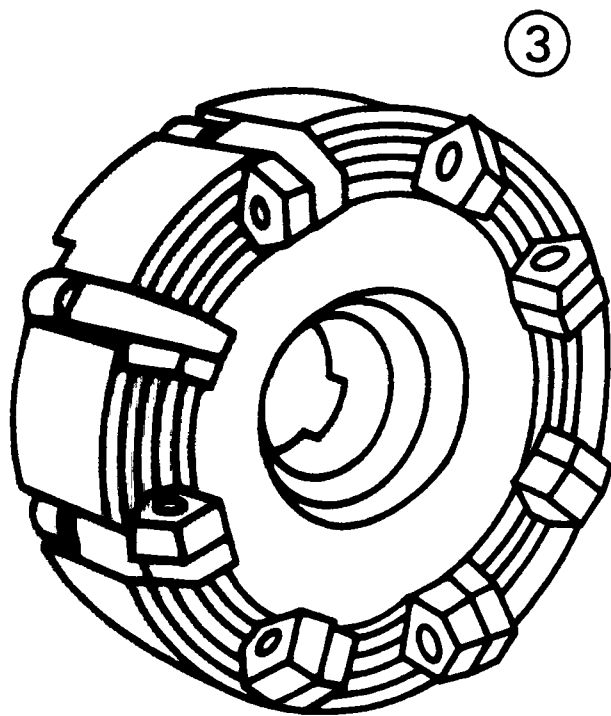
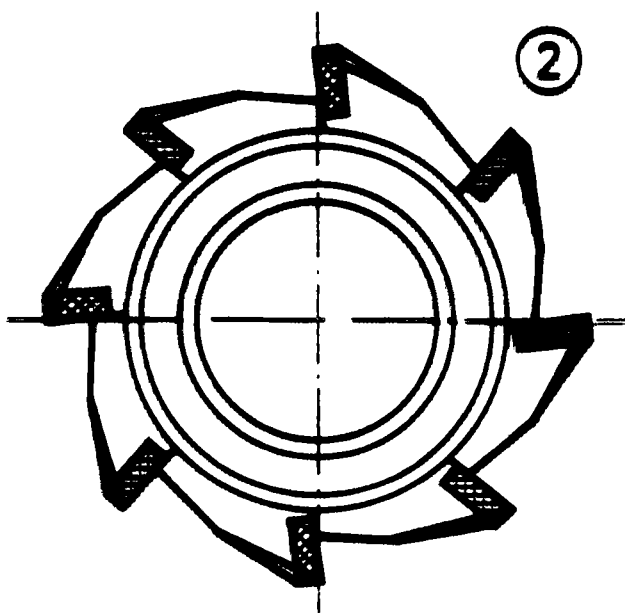
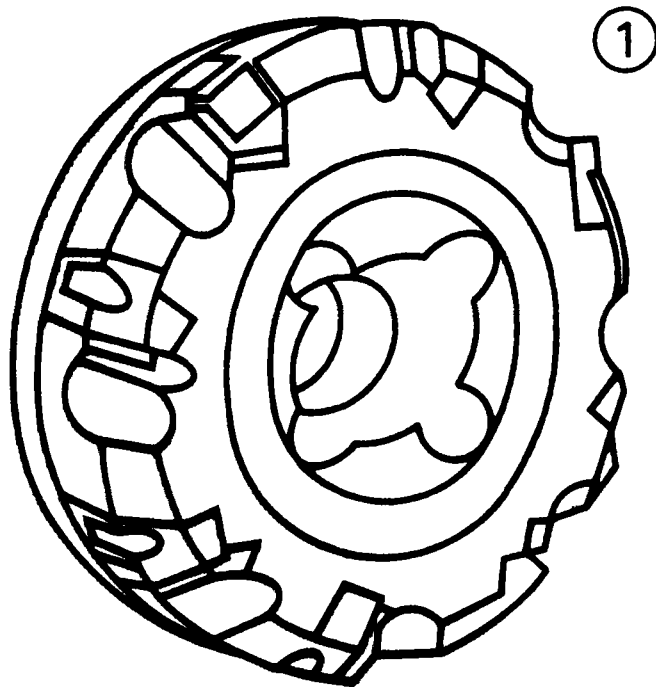


③

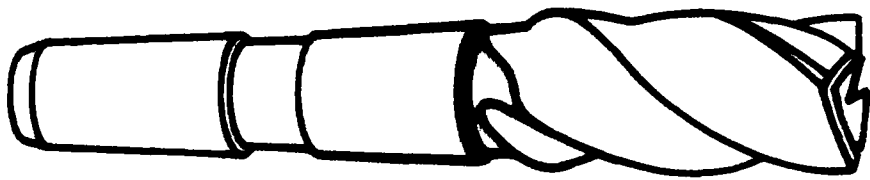


④

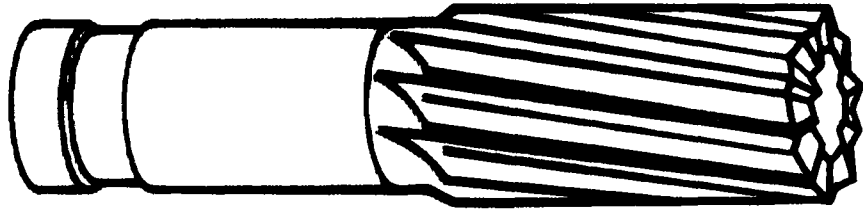




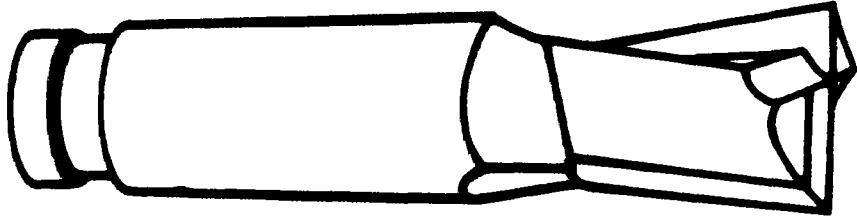
①



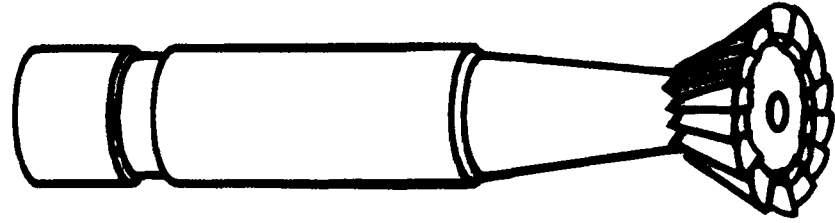
②



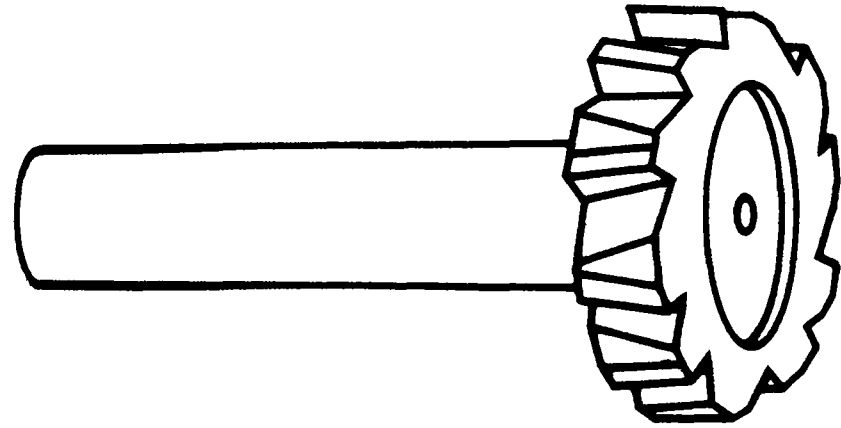
③

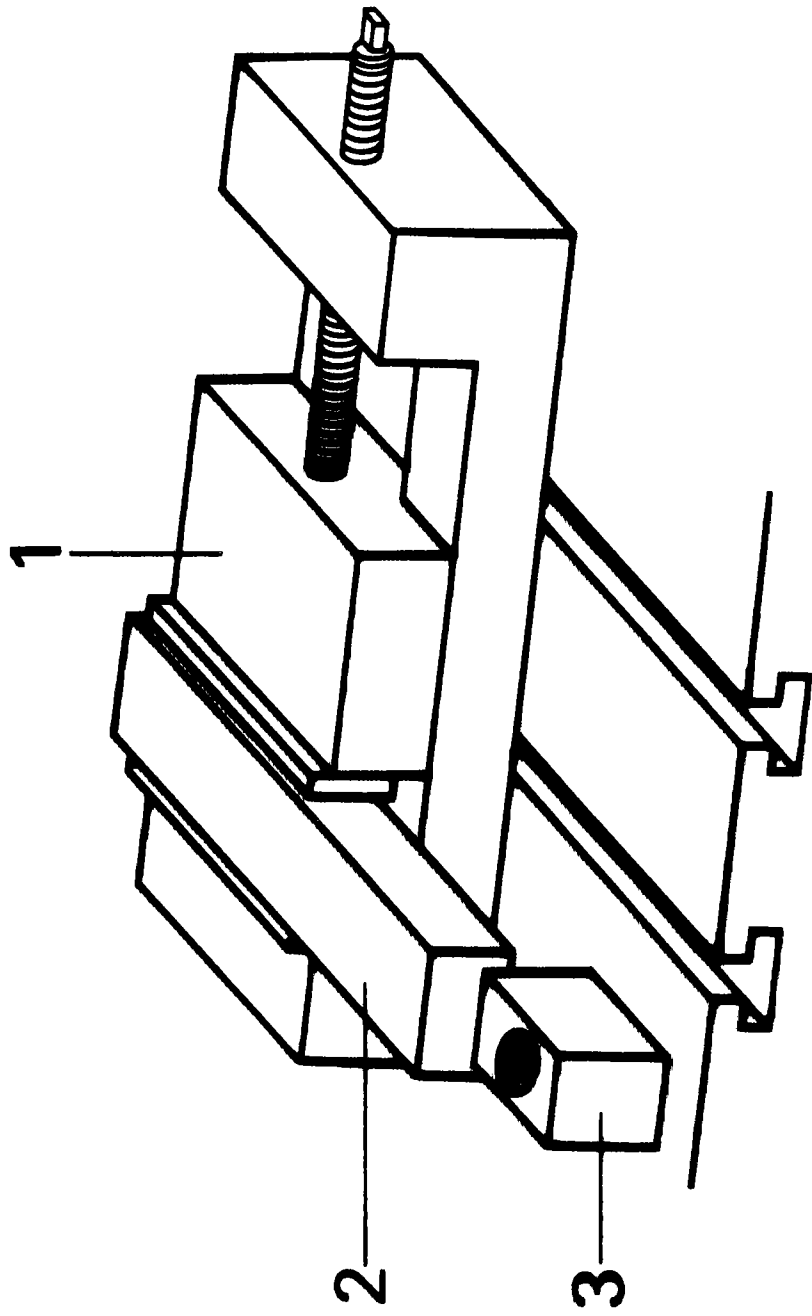


④

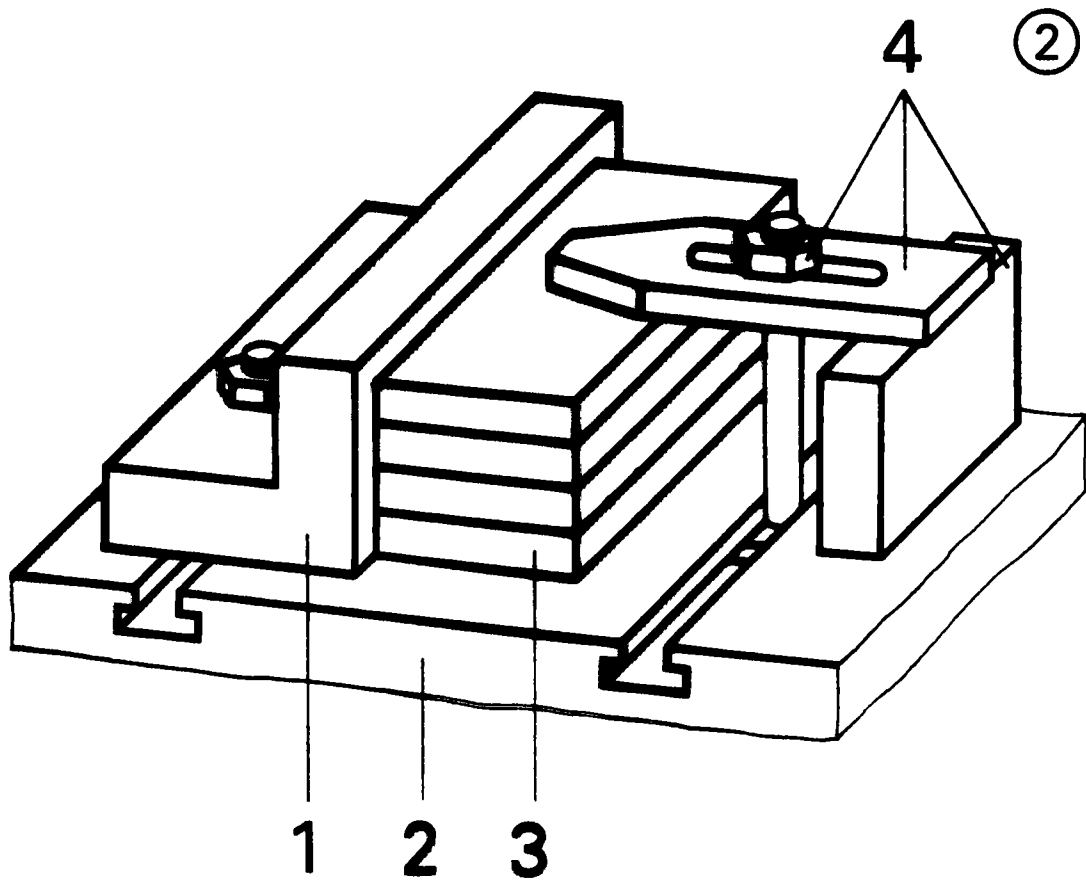
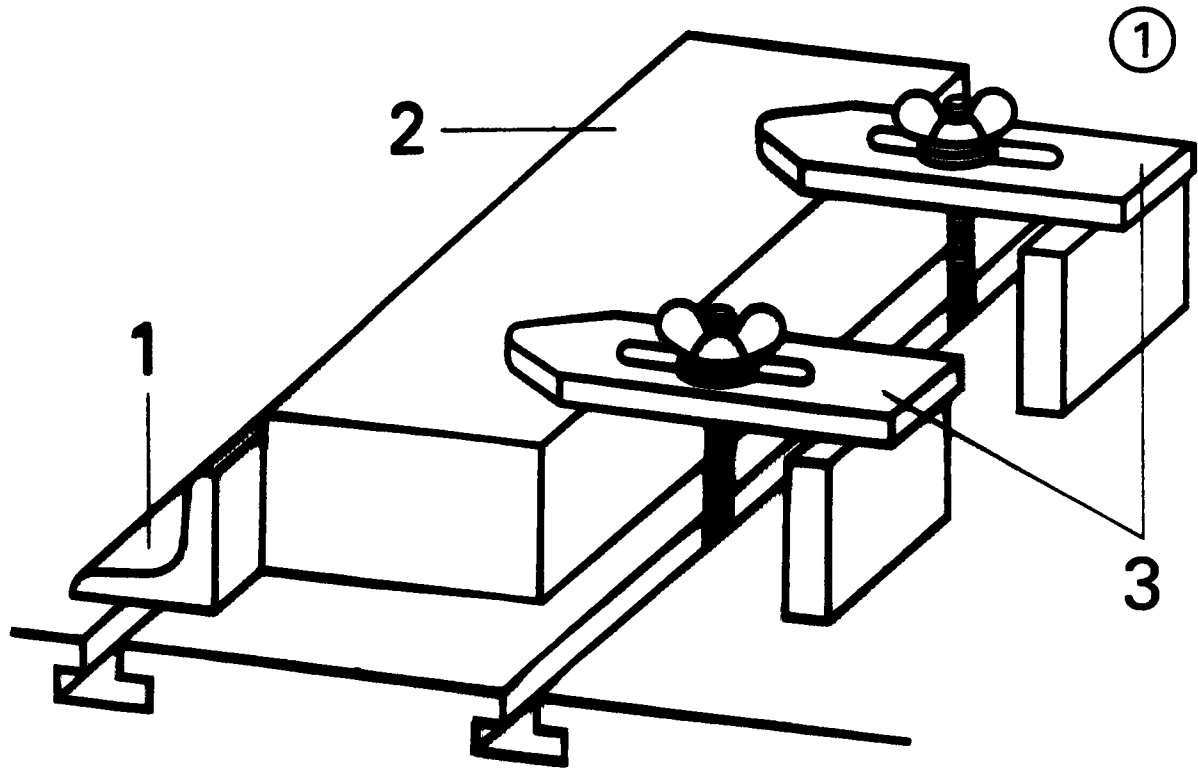


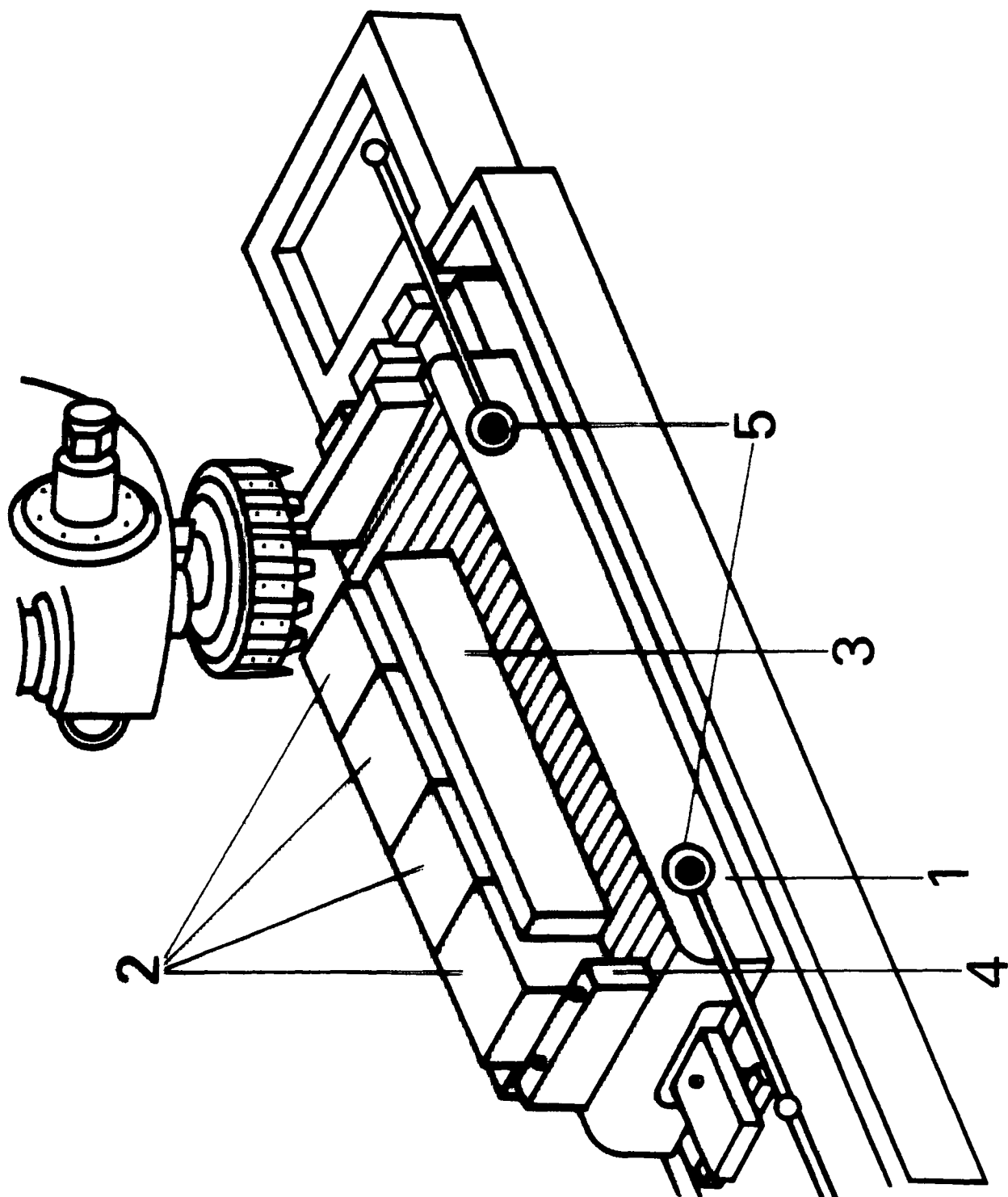
⑤

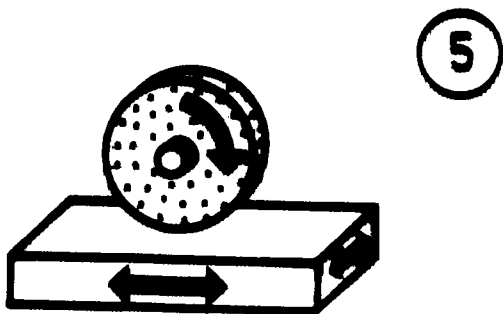
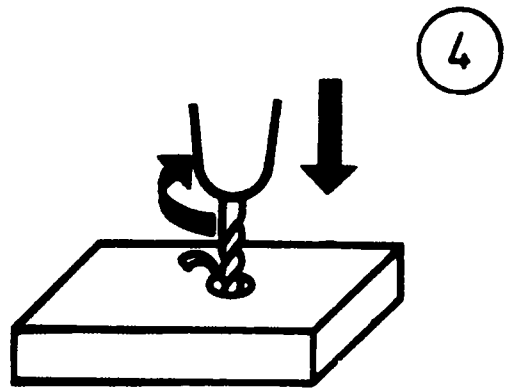
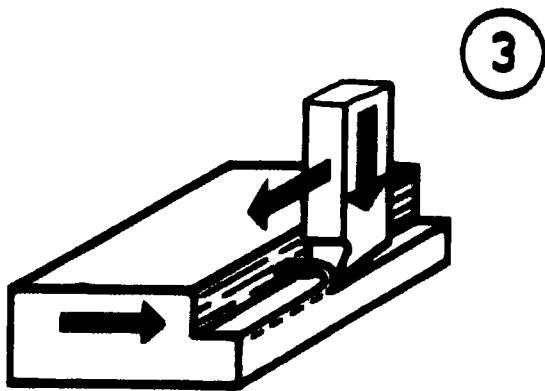
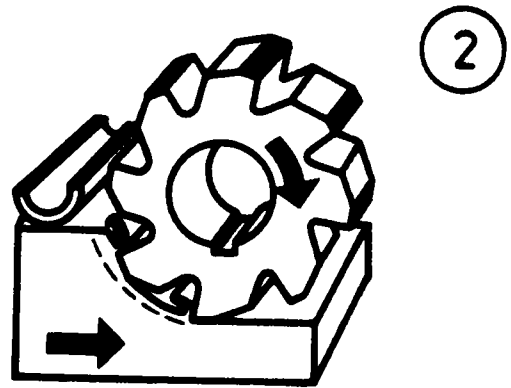
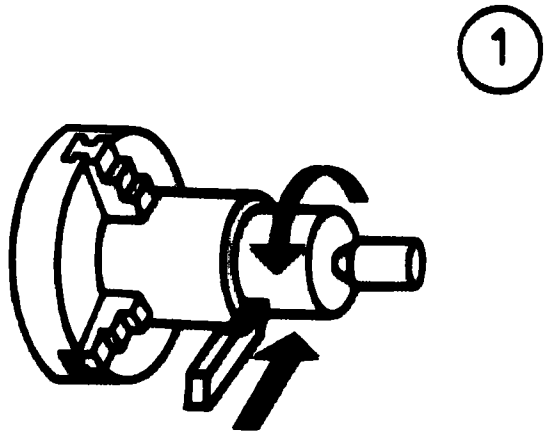


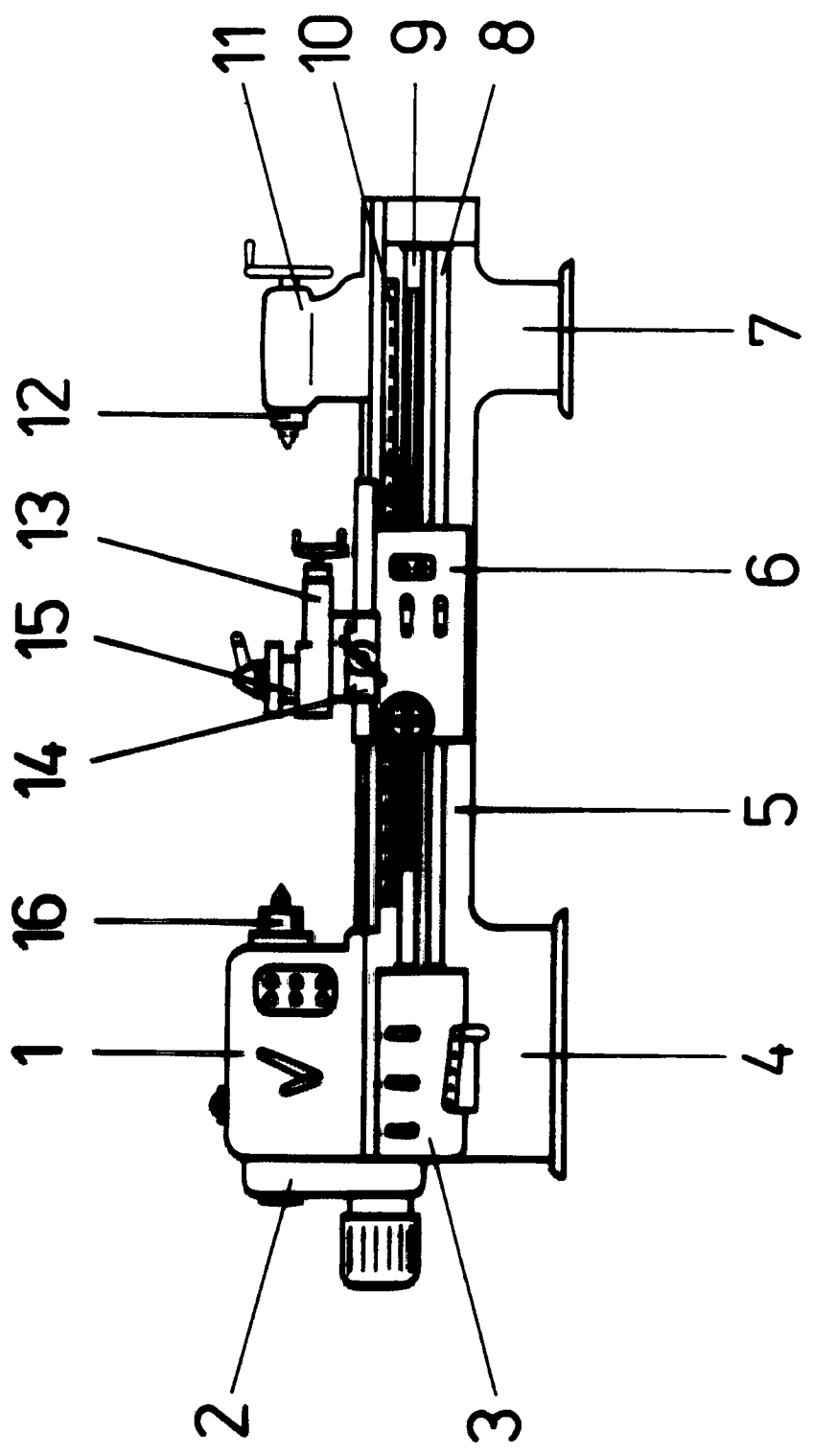


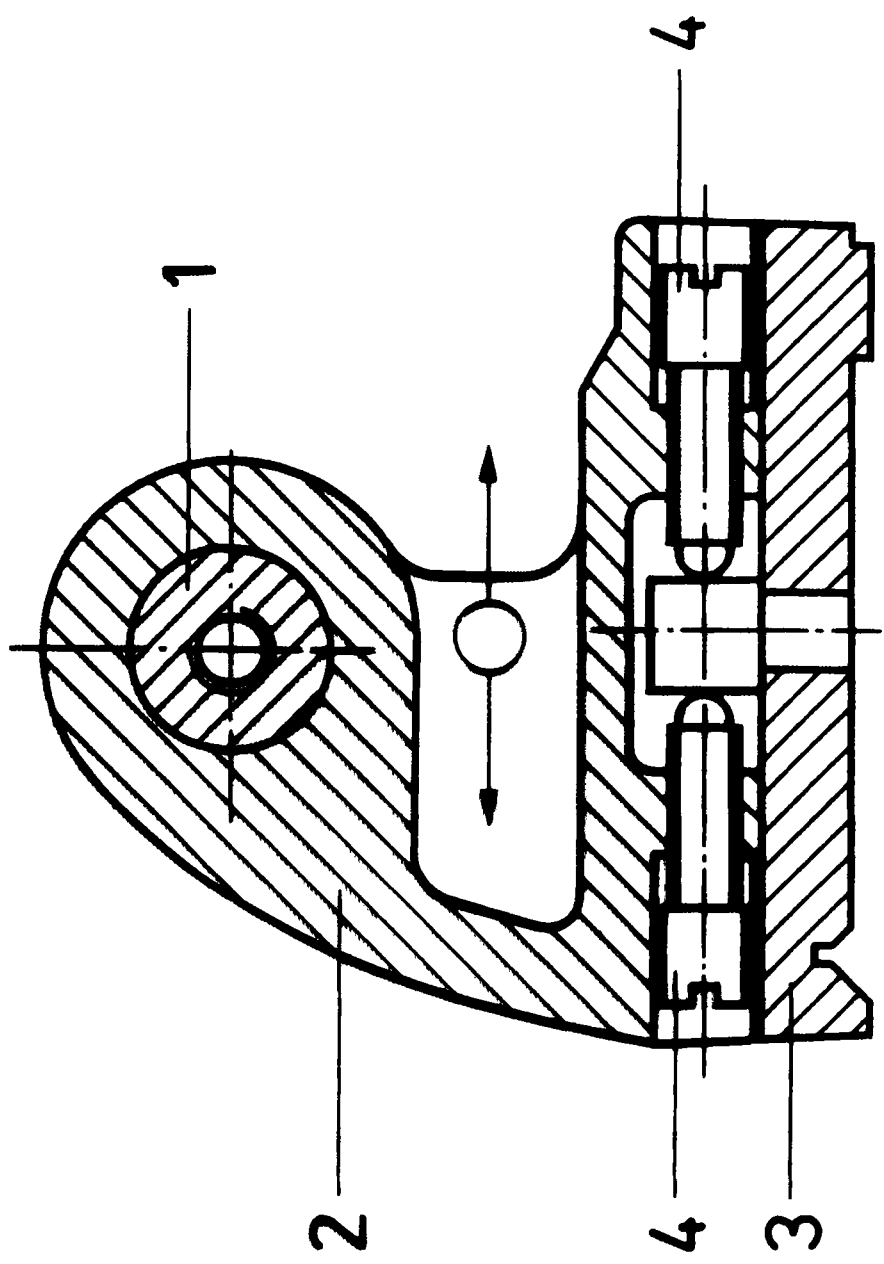


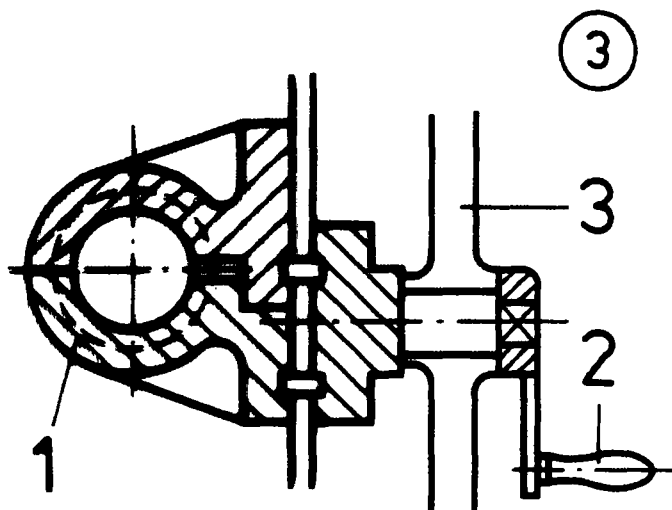
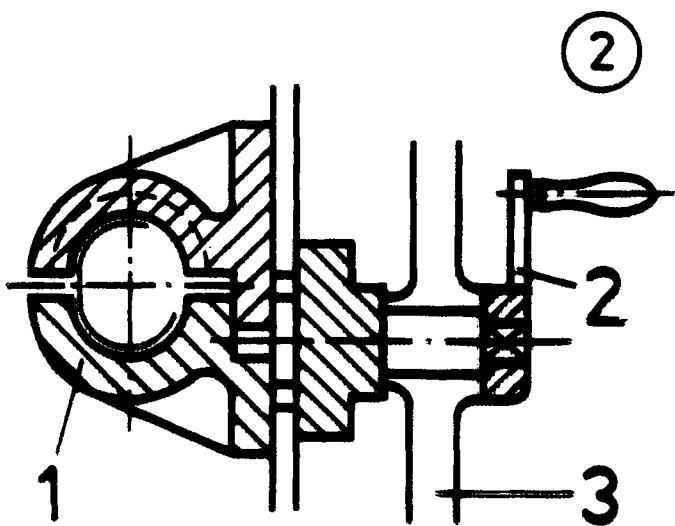
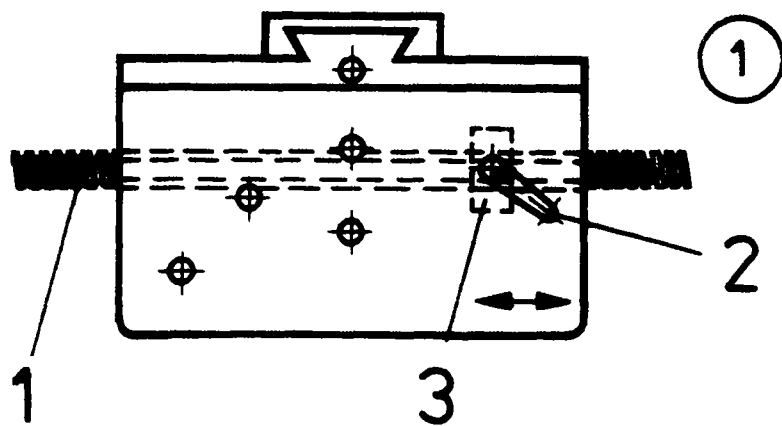


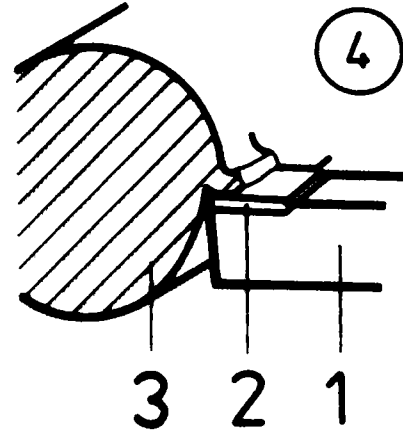
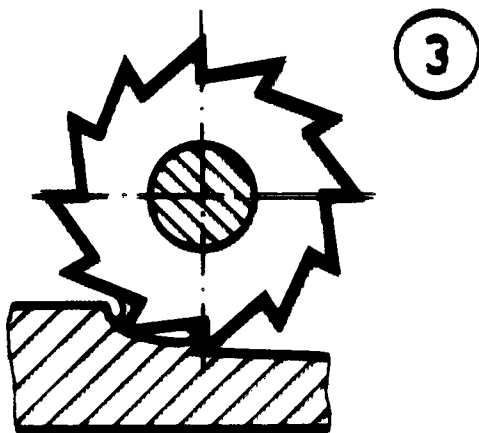
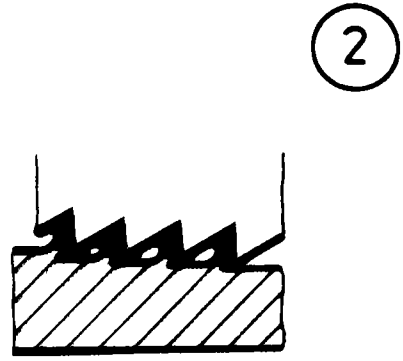
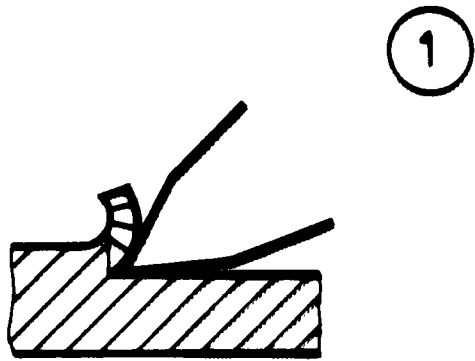


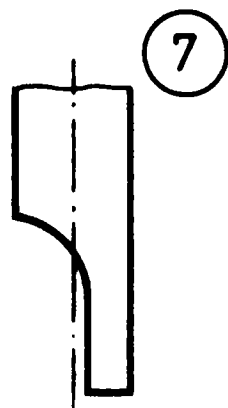
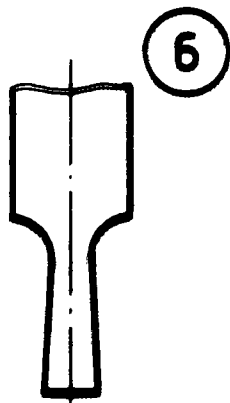
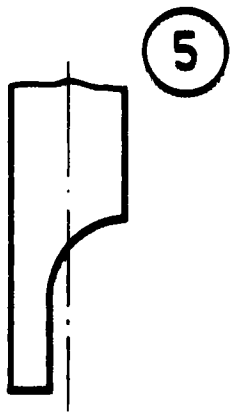
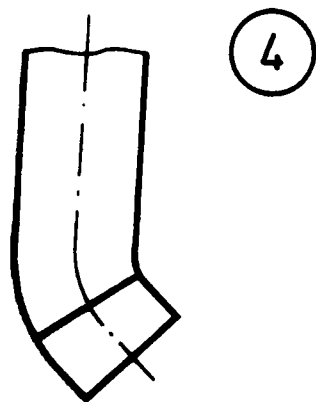
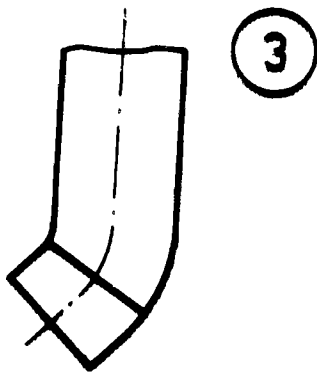
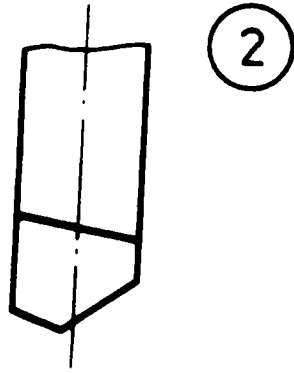
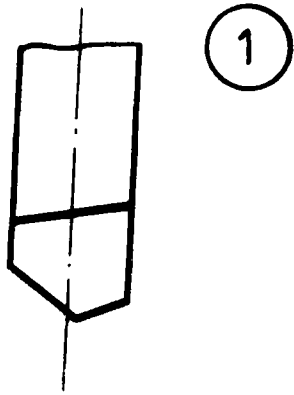




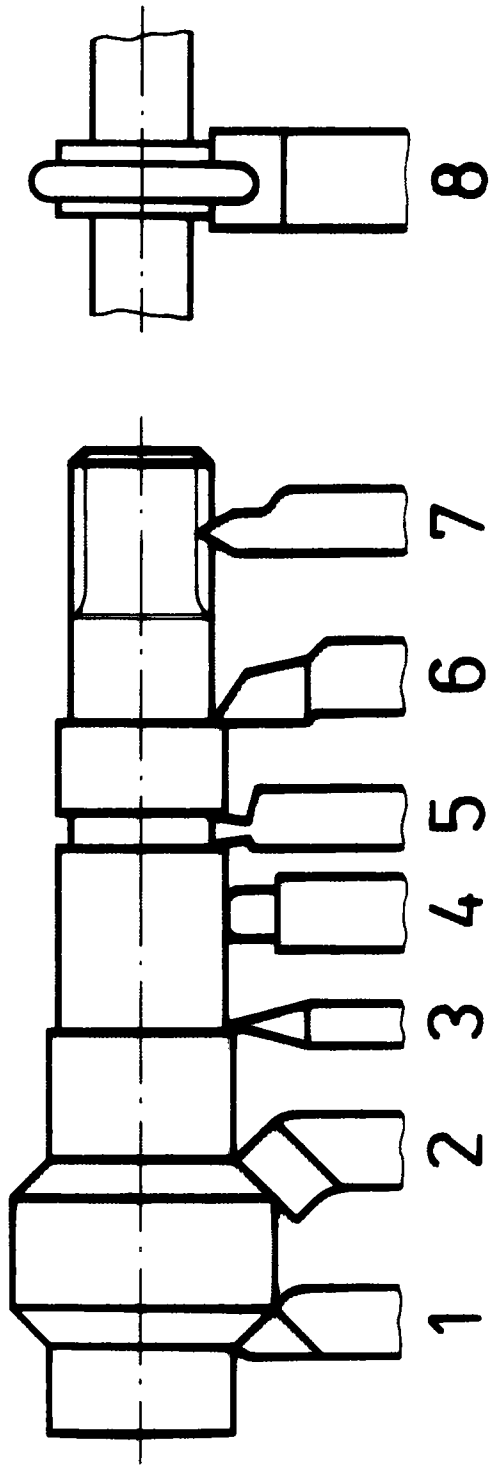


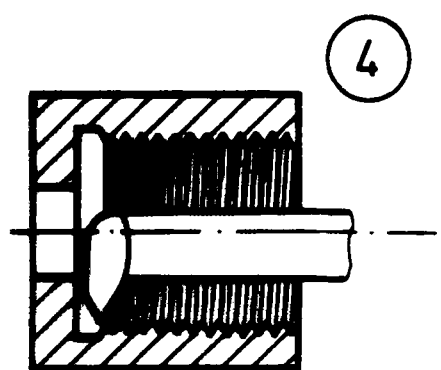
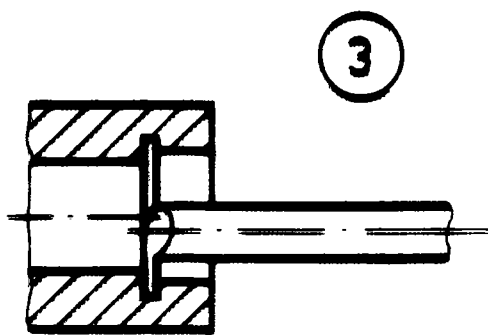
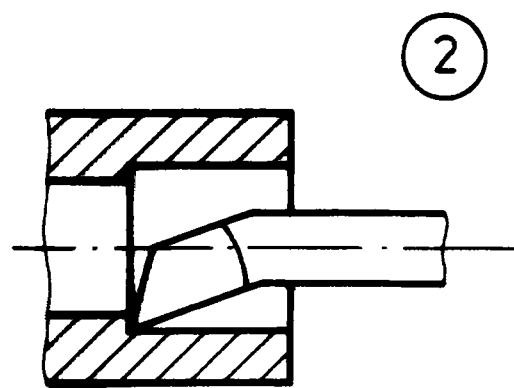
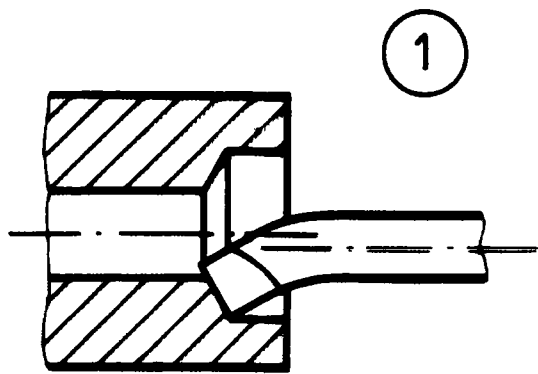


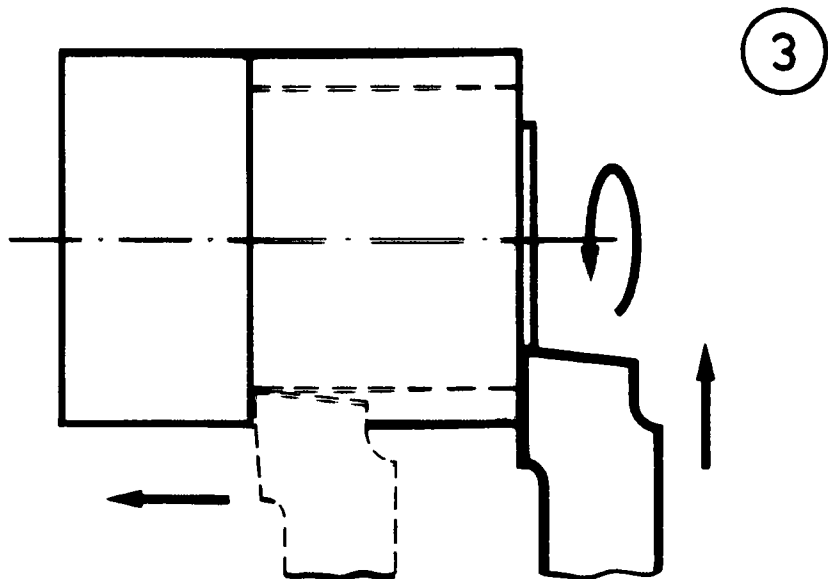
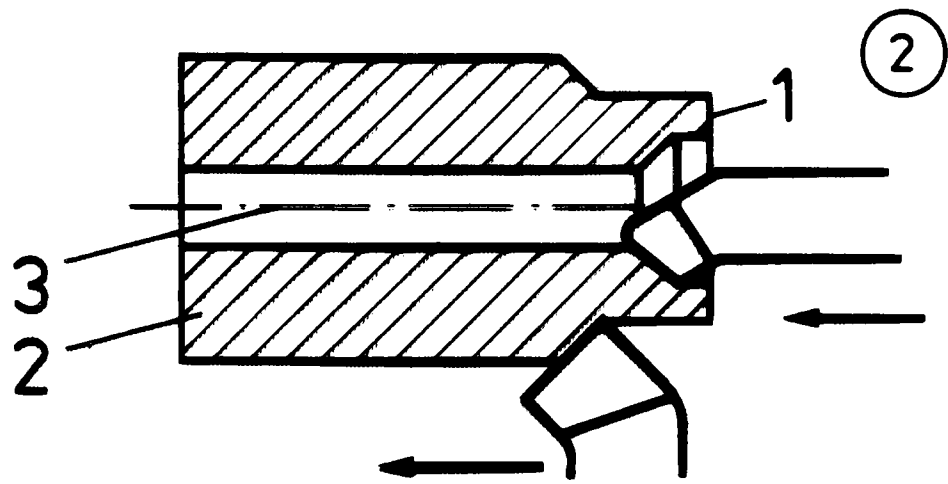
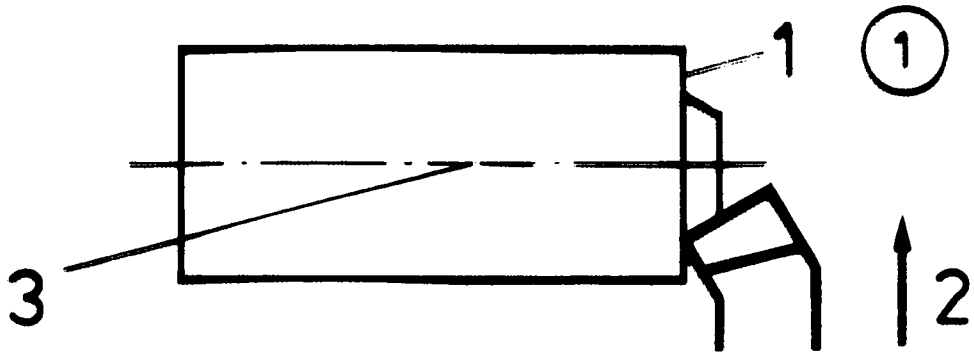




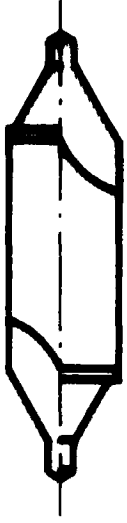








2



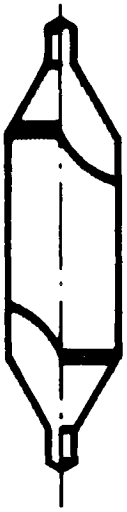
4



6



1



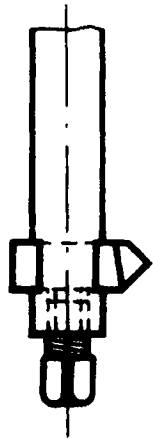
3



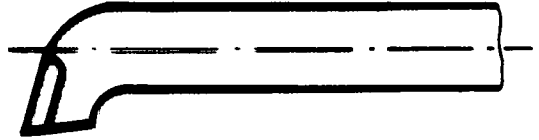
5



7



1



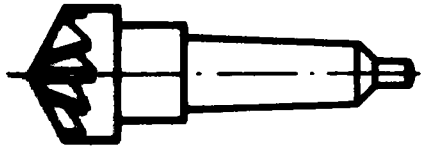
3



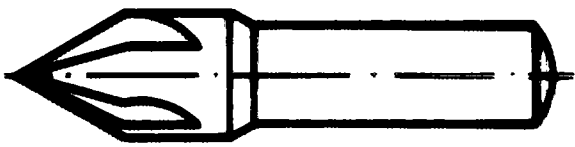
2



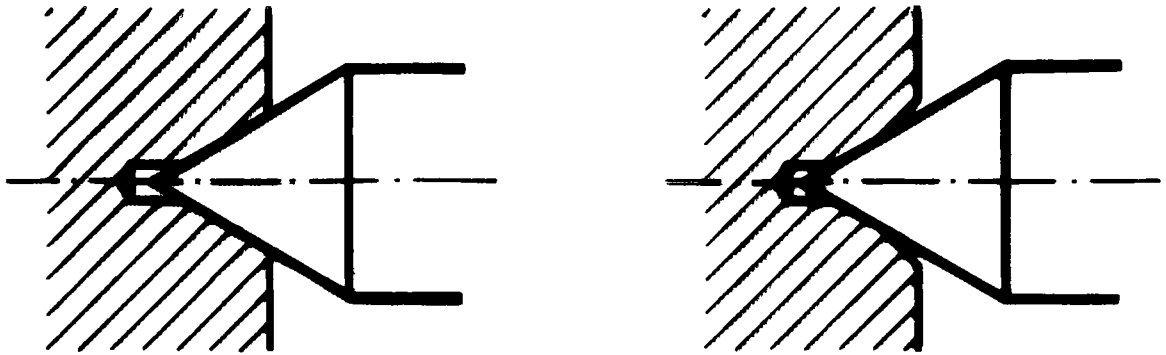
5



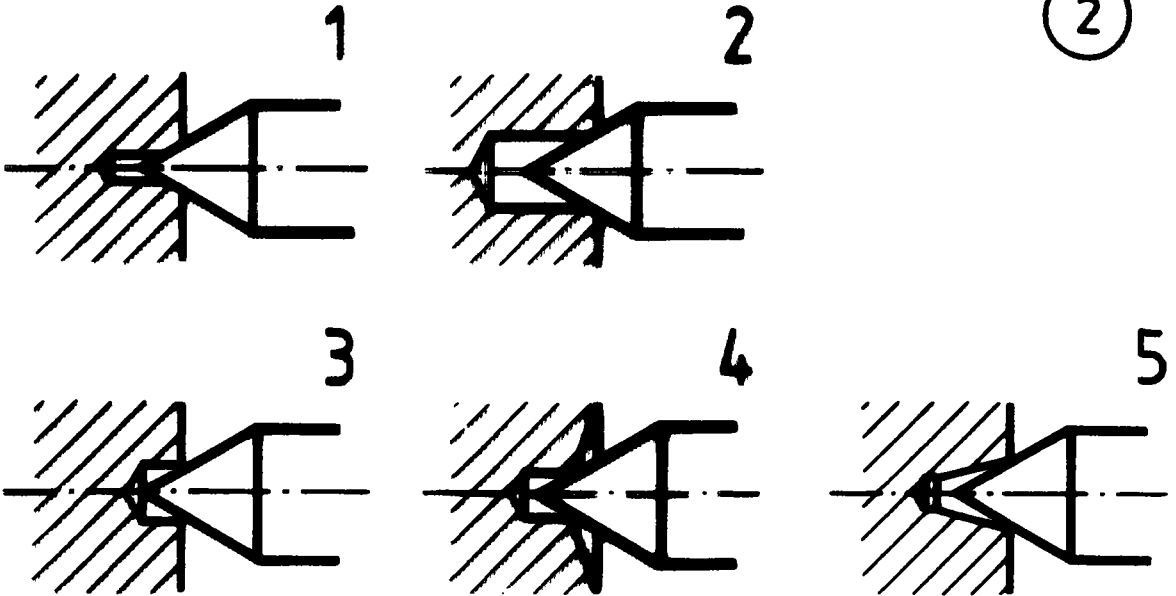
4

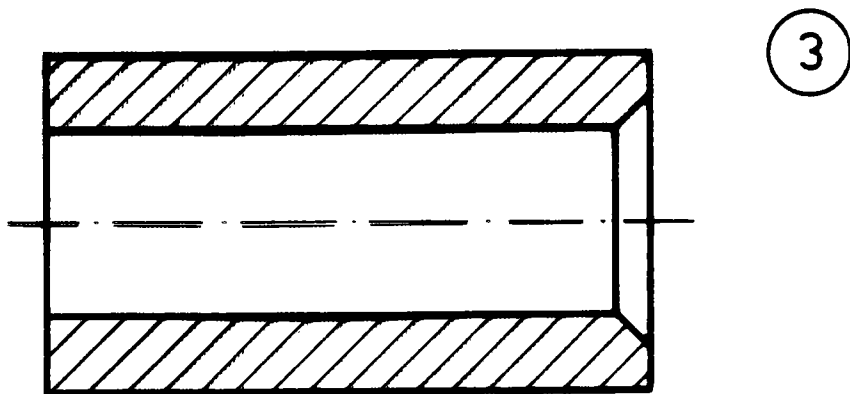
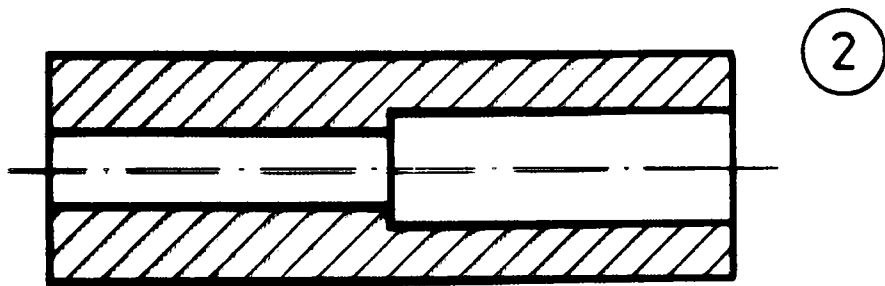
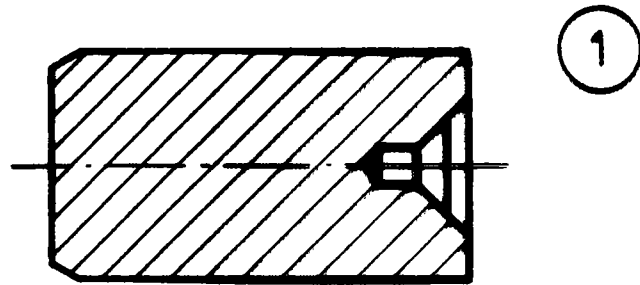


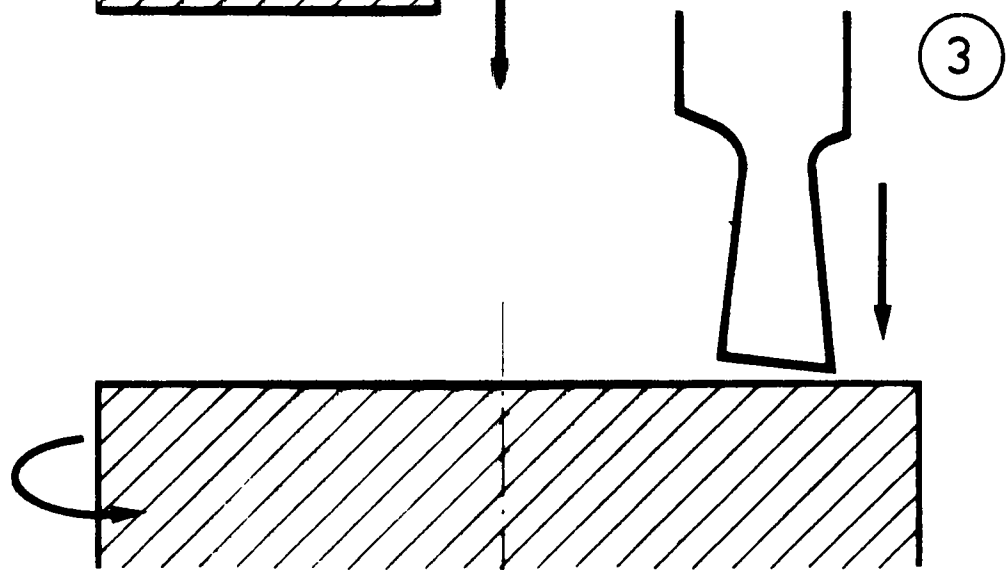
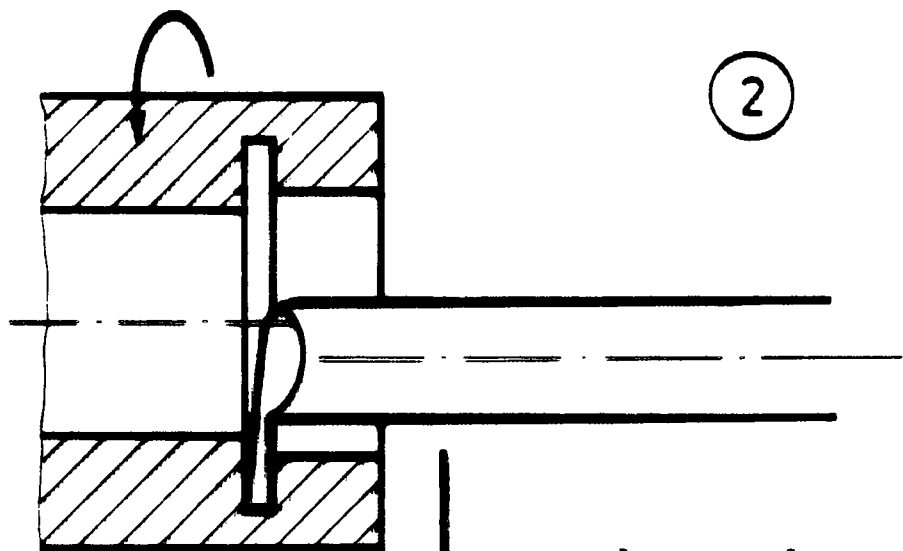
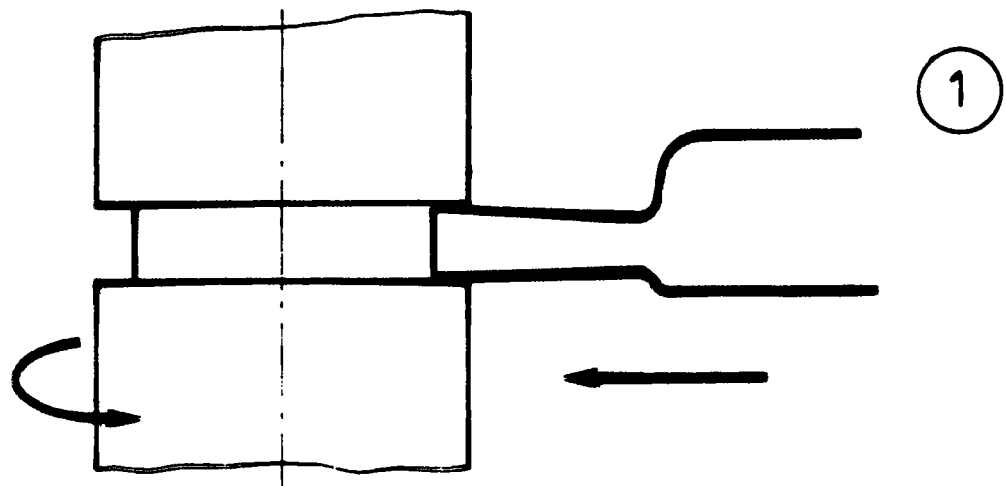
①



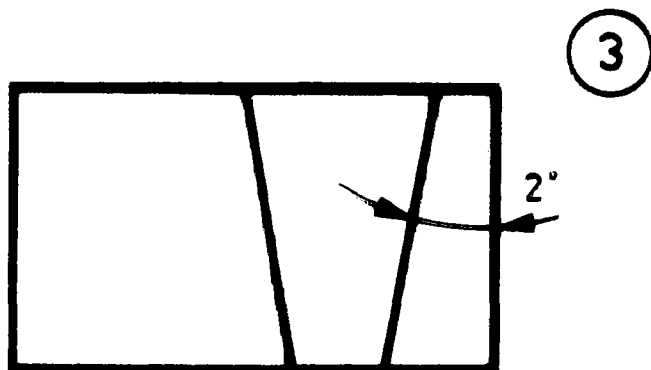
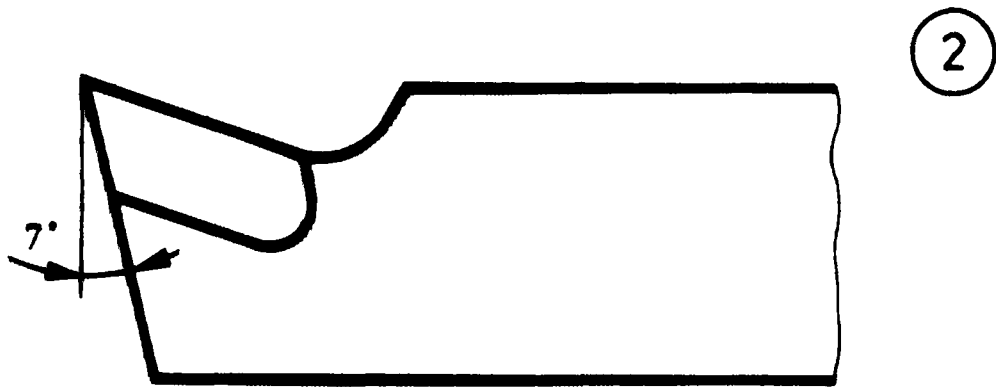
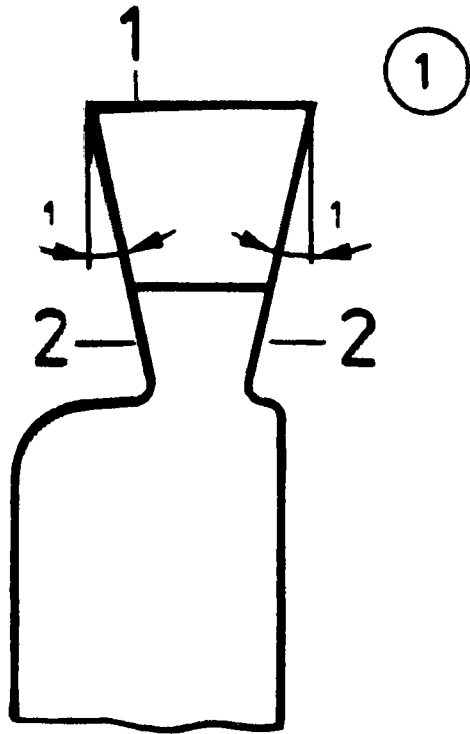
②

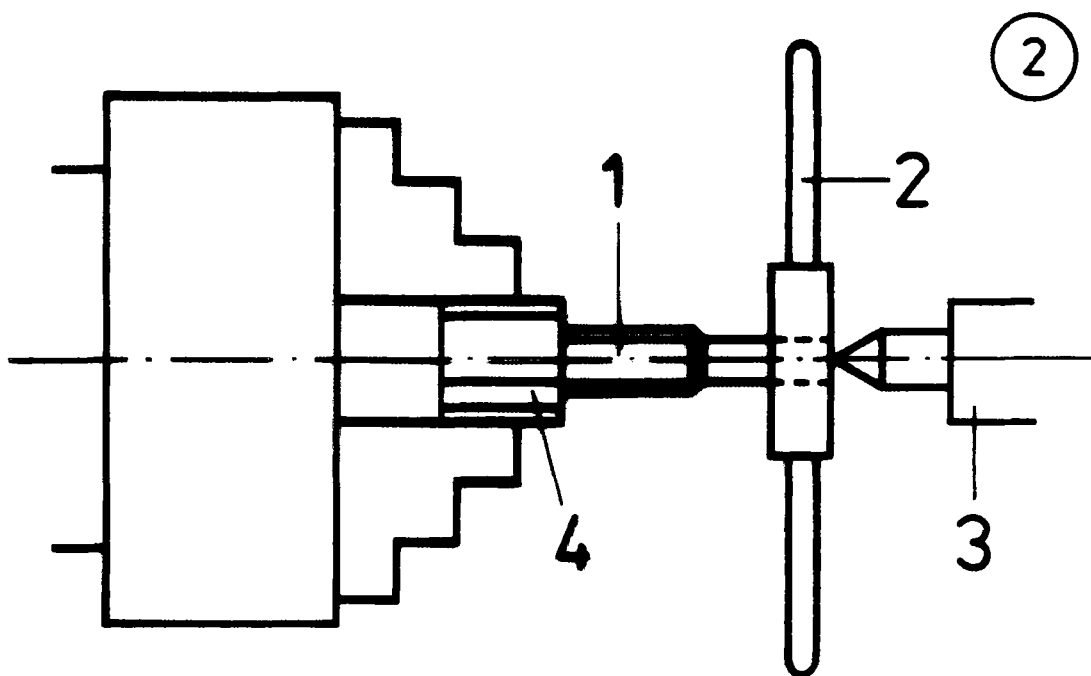
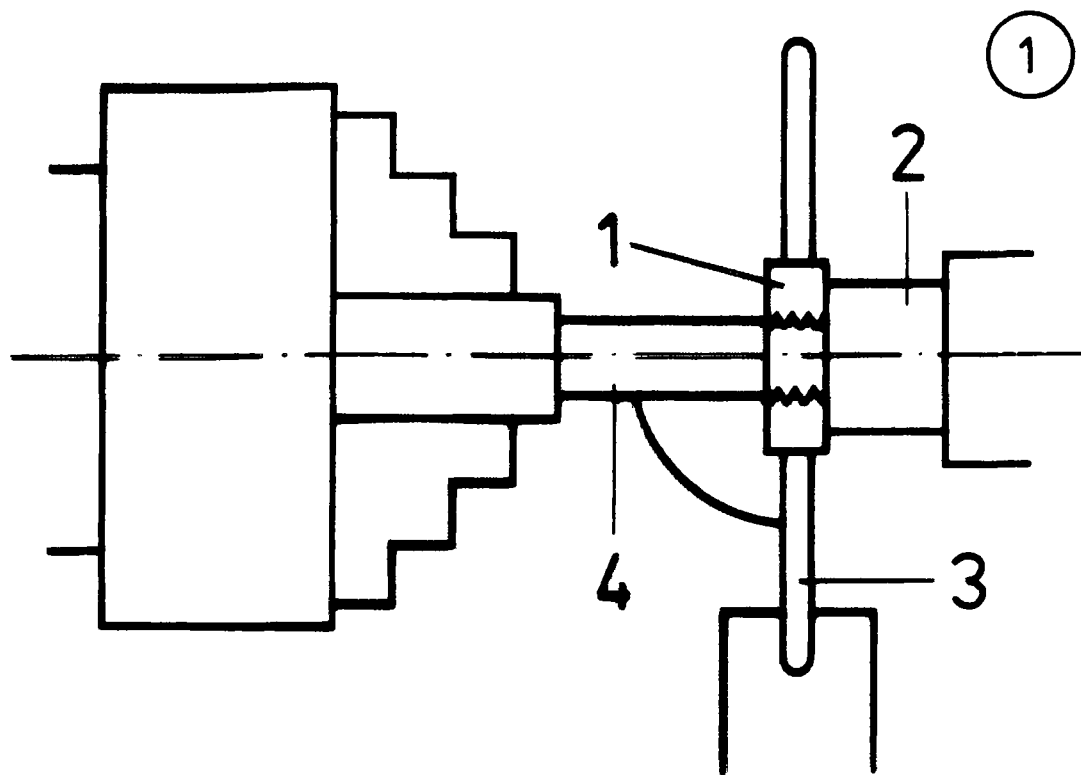


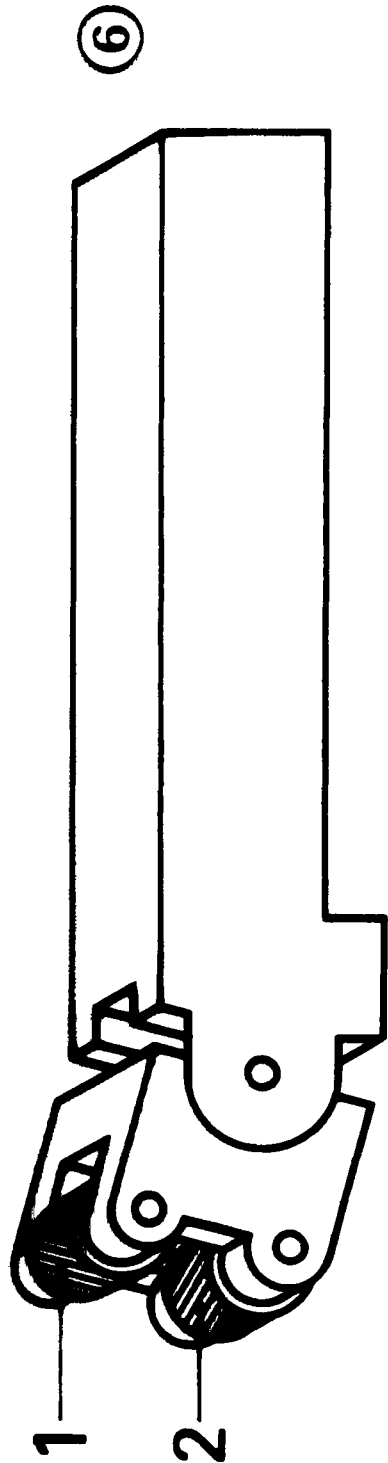
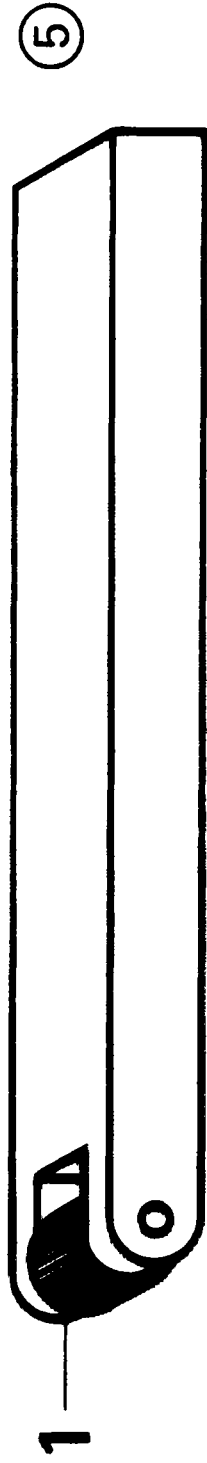
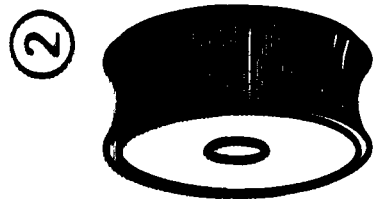
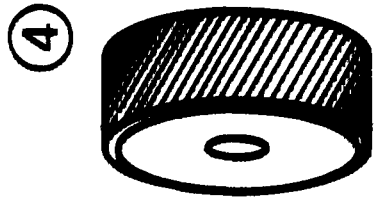
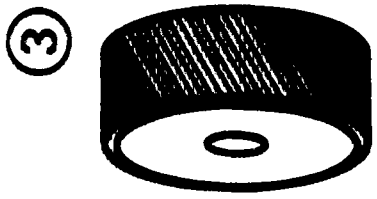
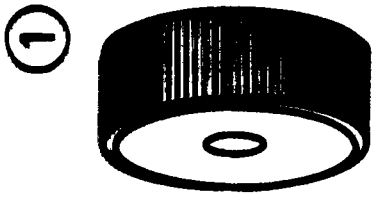


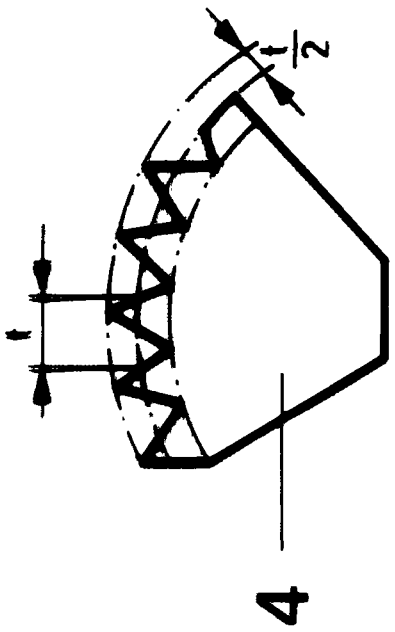
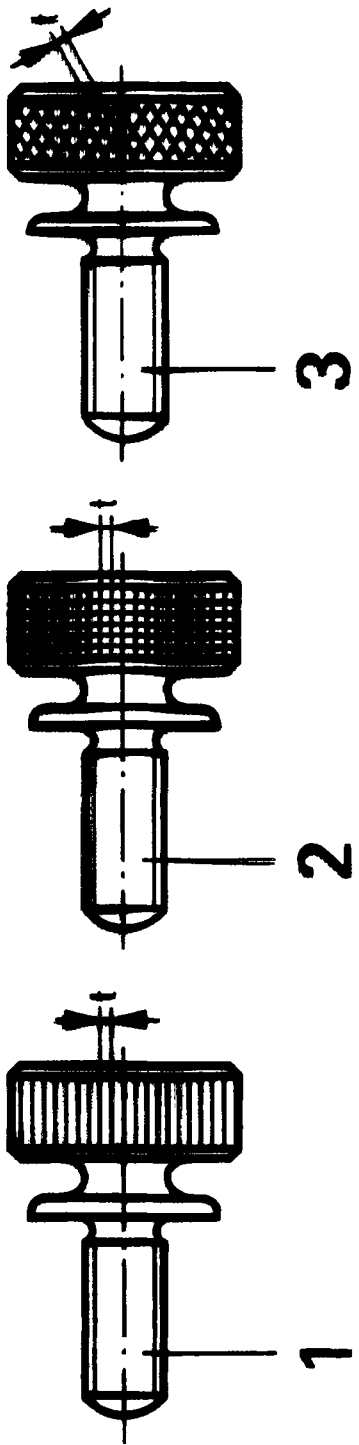


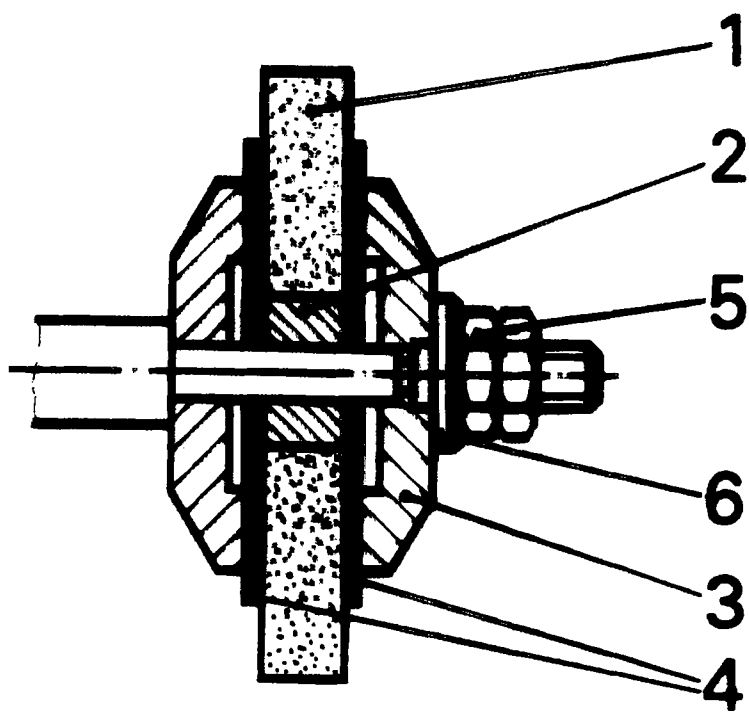
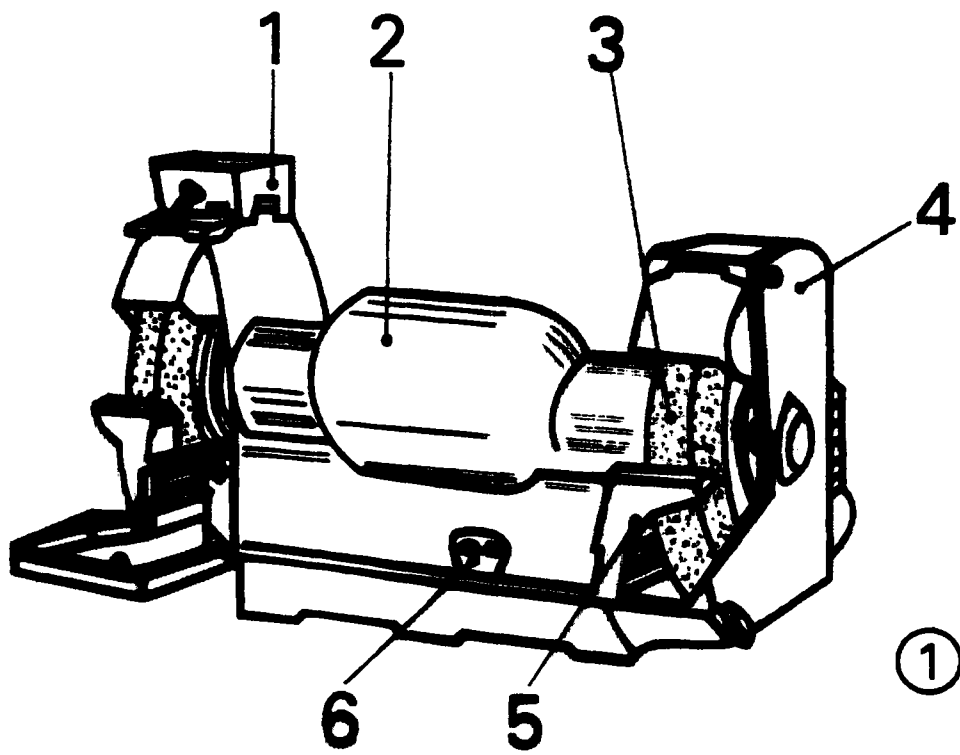


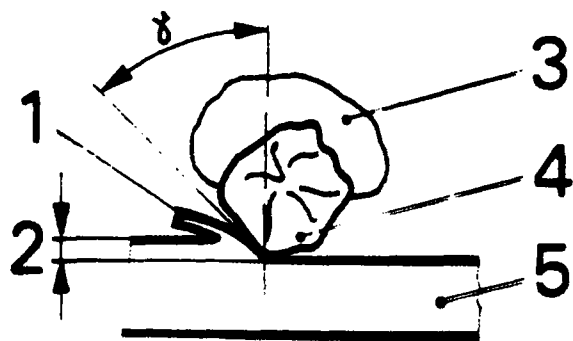




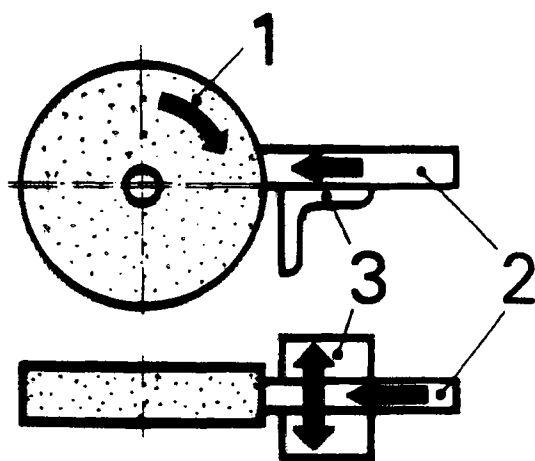




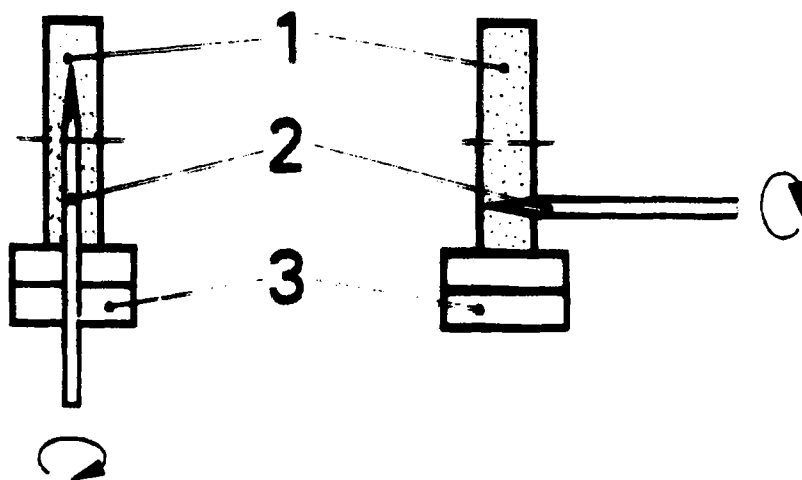


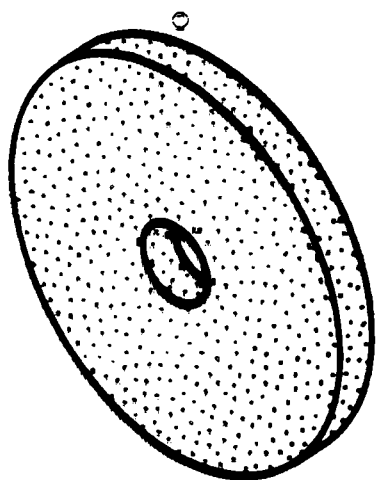


①

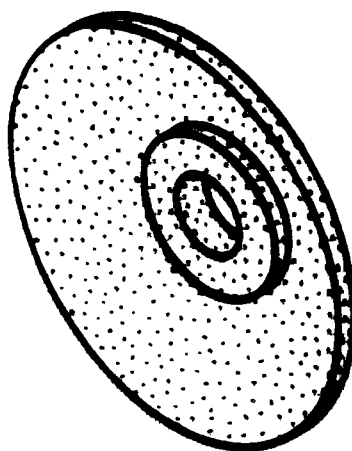


②

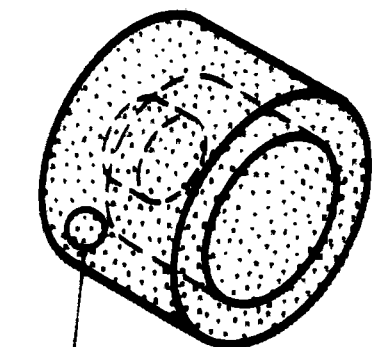
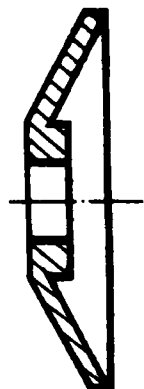




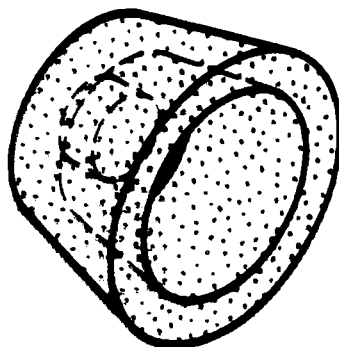
①



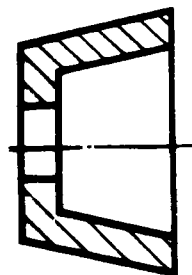
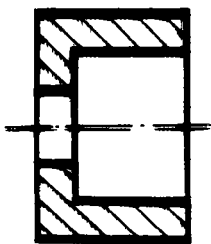
②

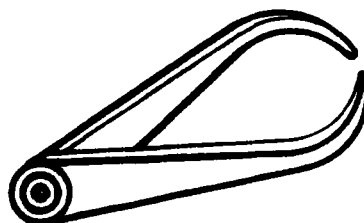
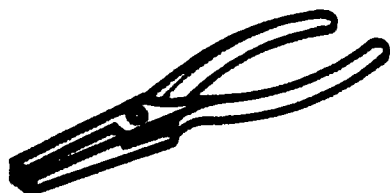
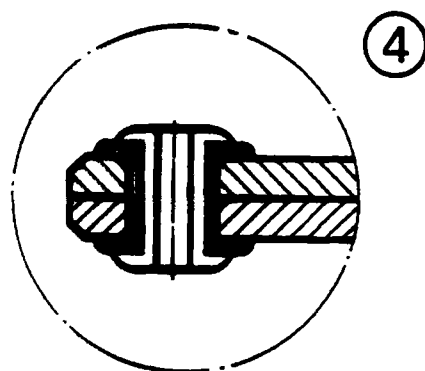
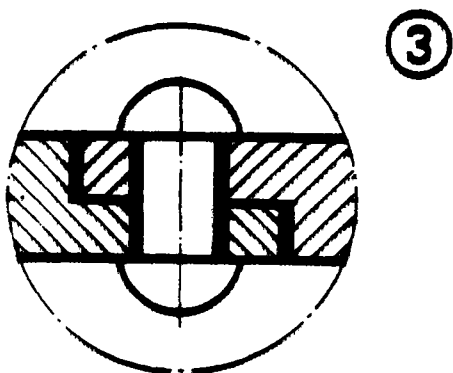
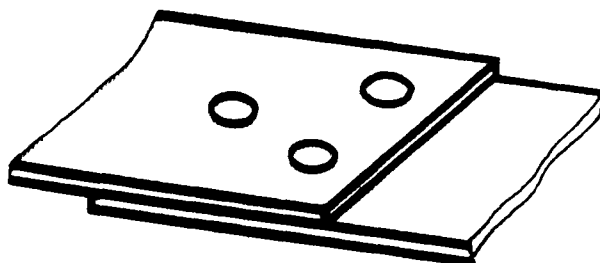
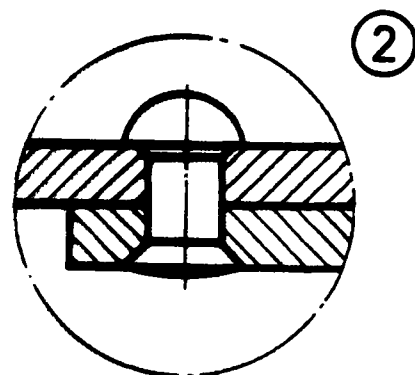
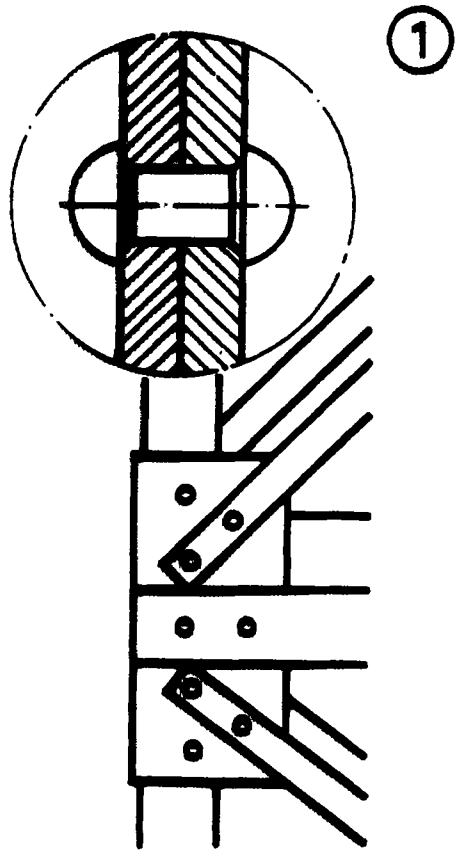


③

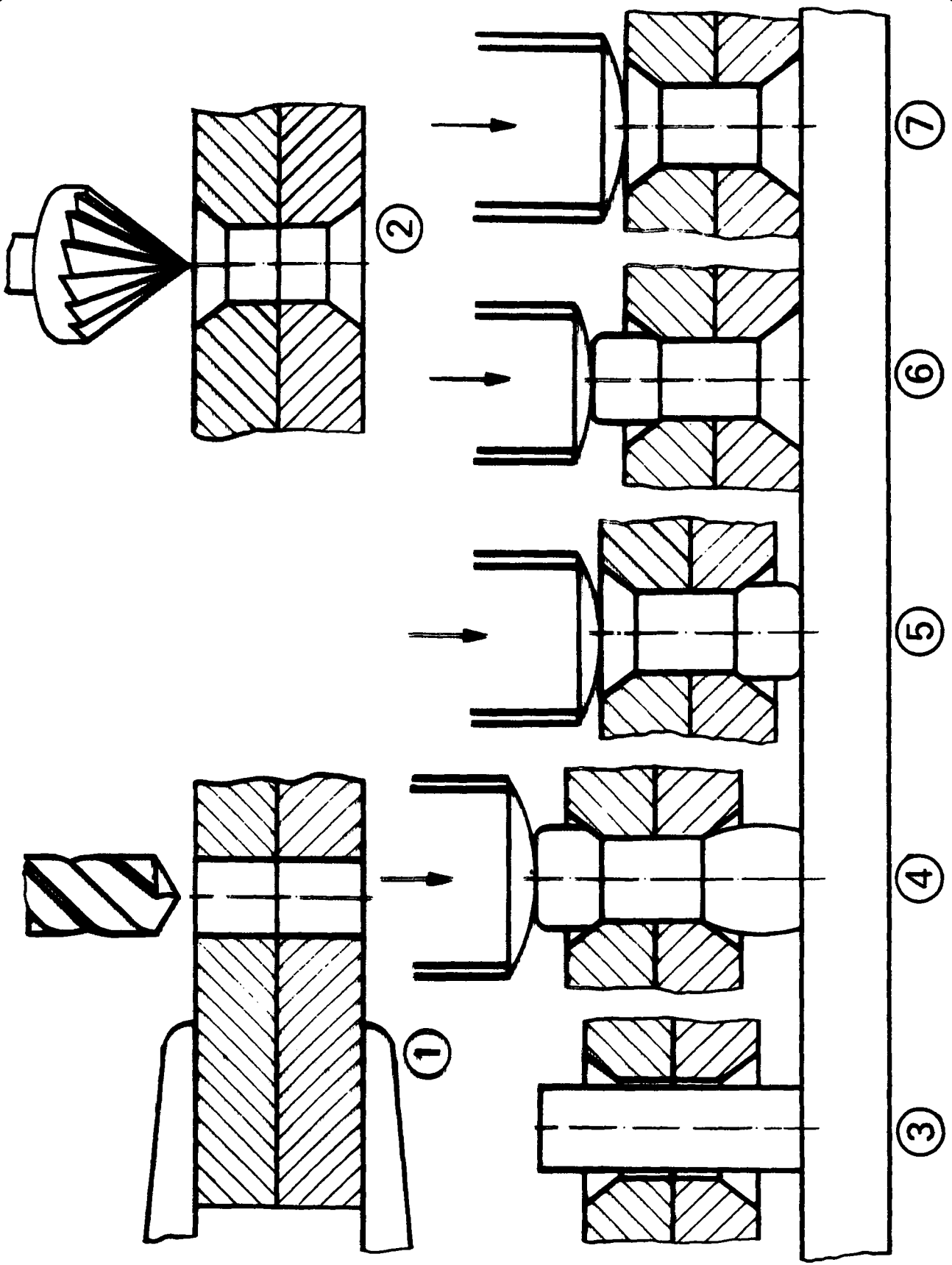


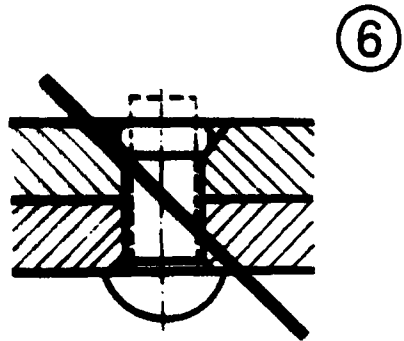
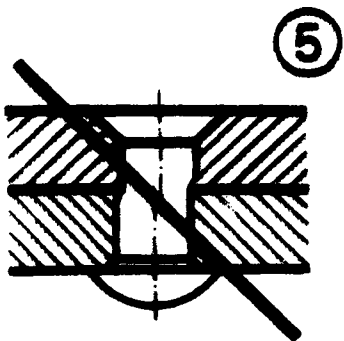
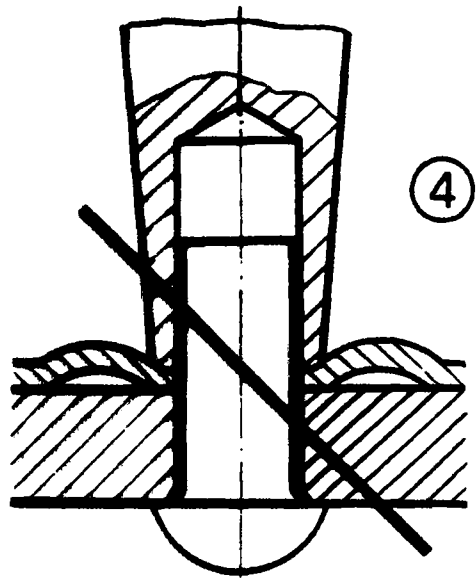
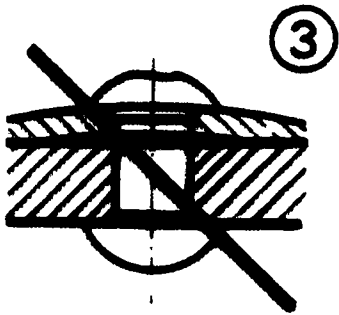
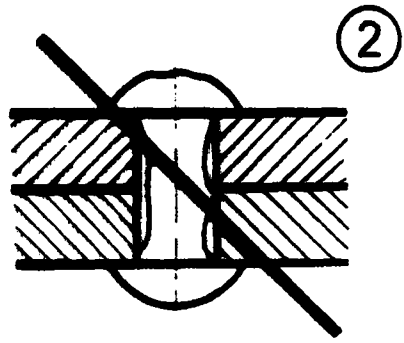
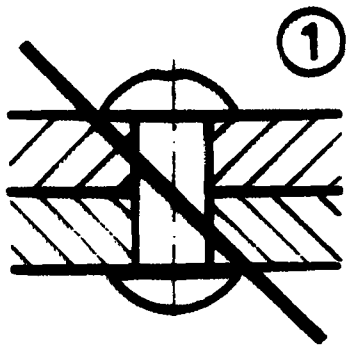
④



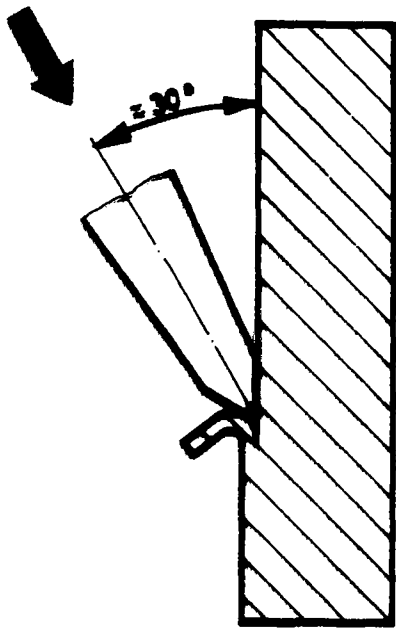




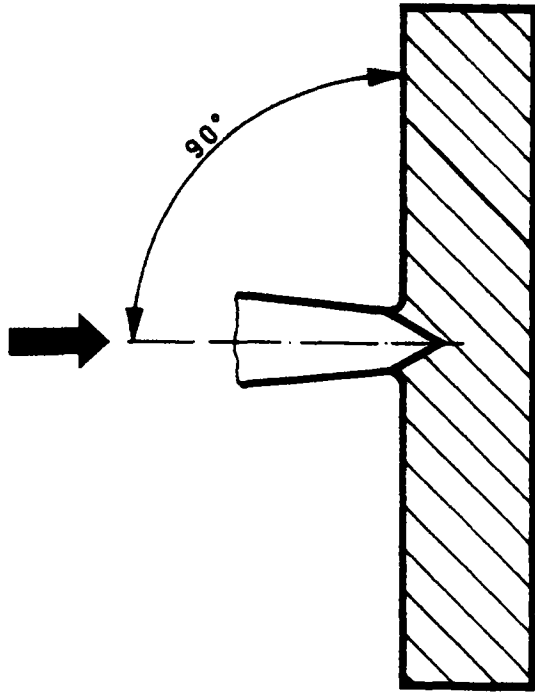


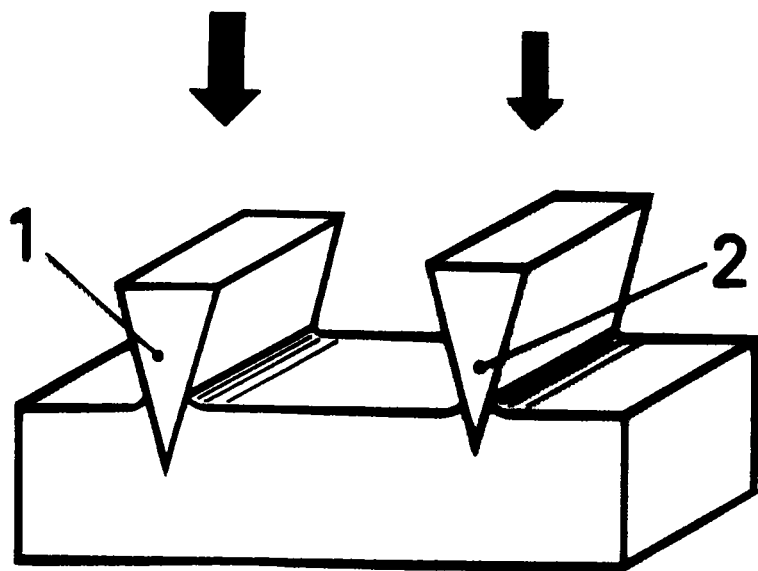


①

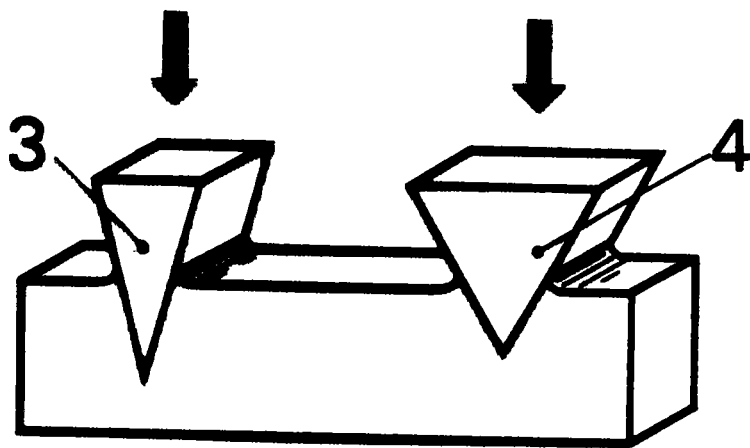


②

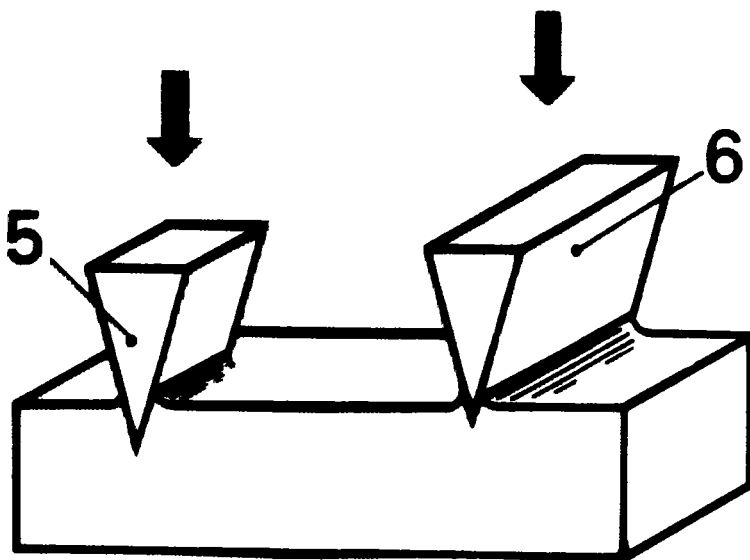




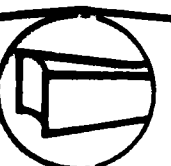
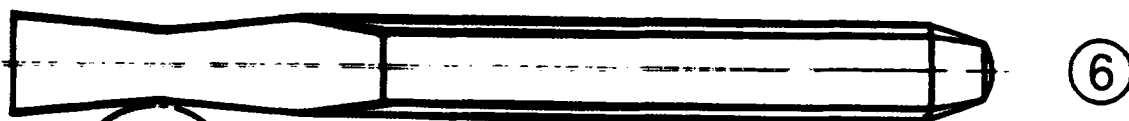
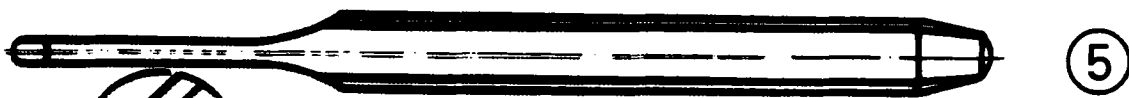
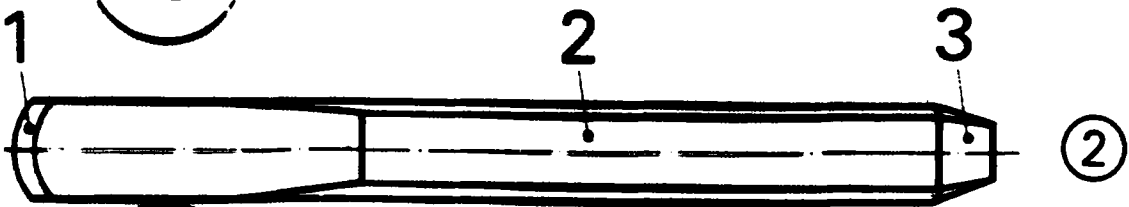
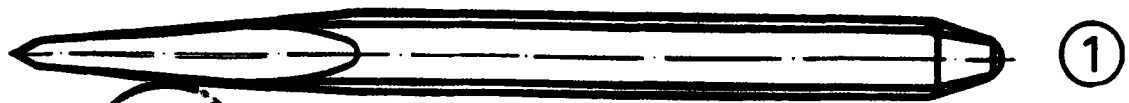
①

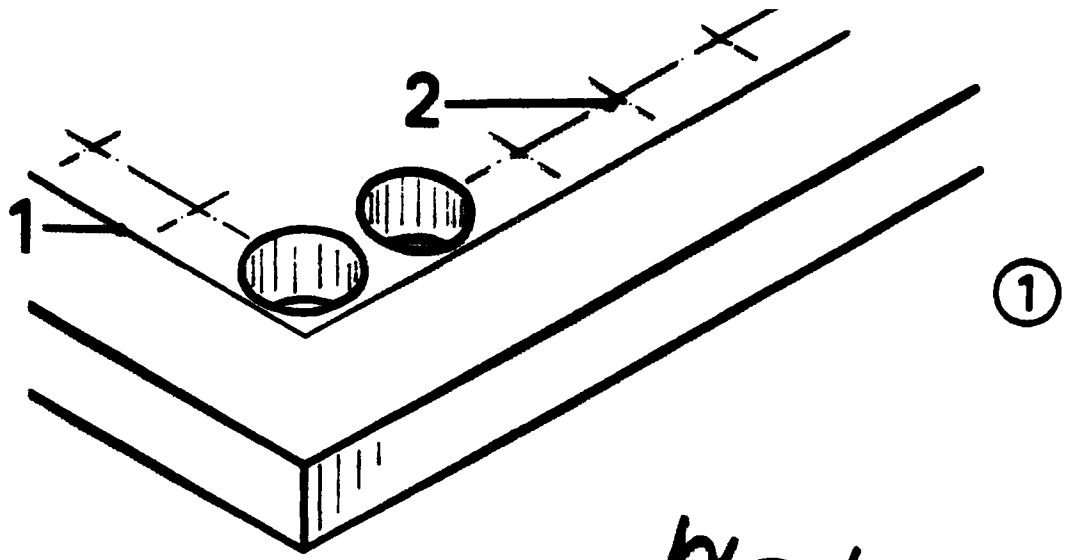


②

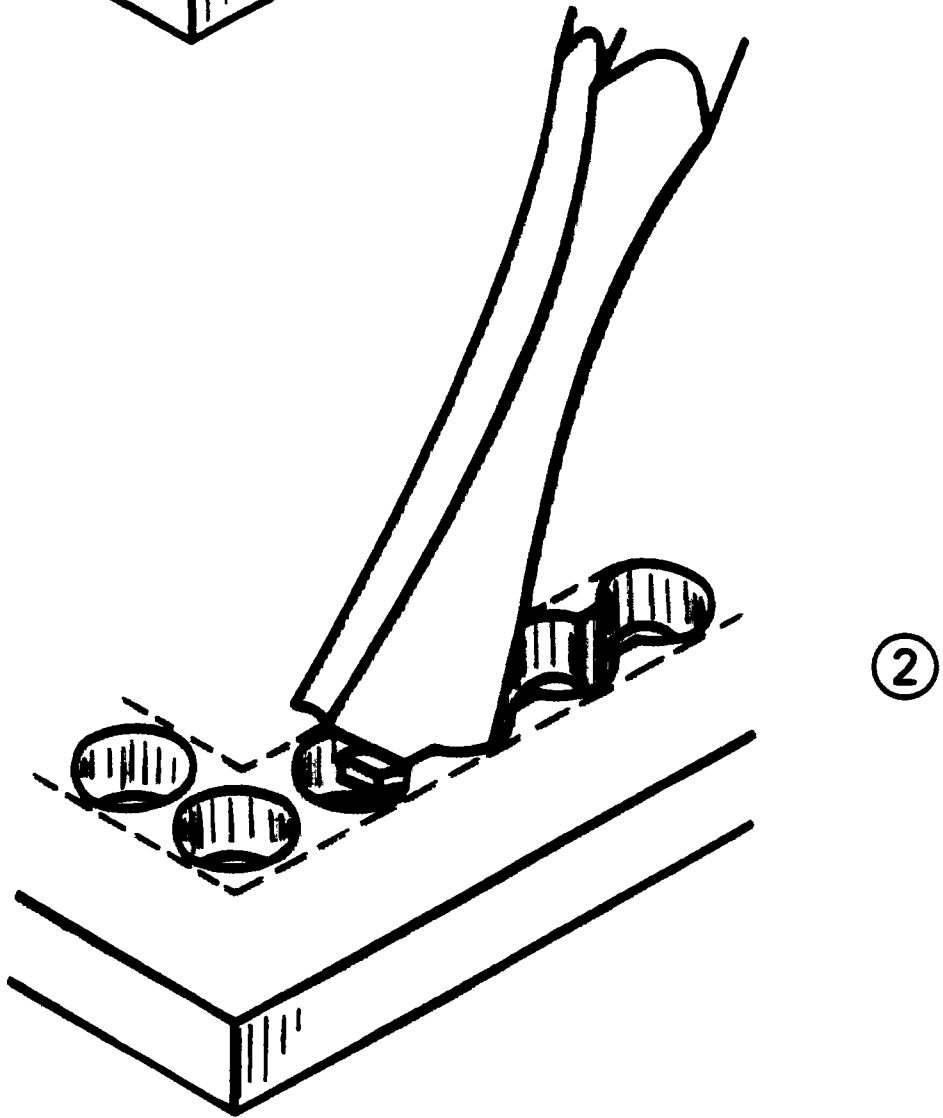


③

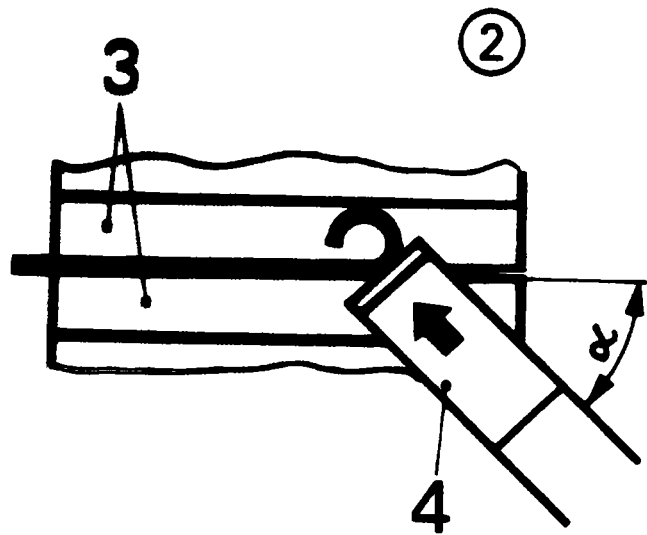
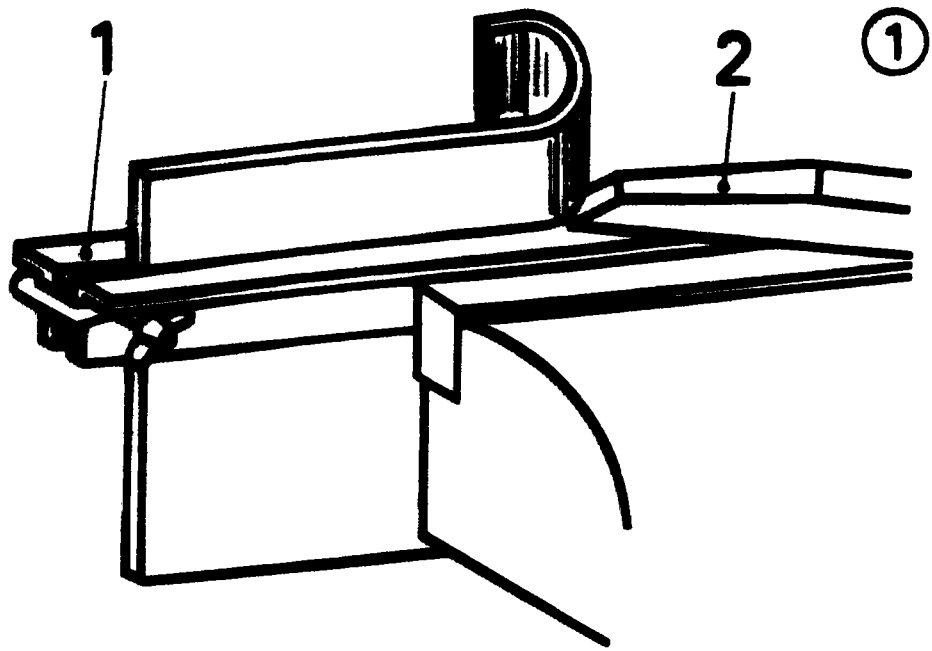


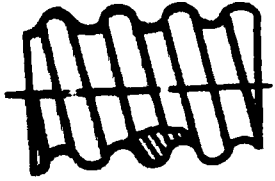


①

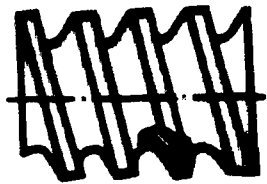


②

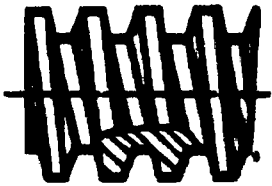




①



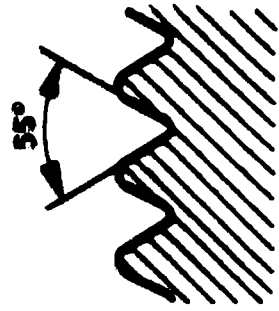
②



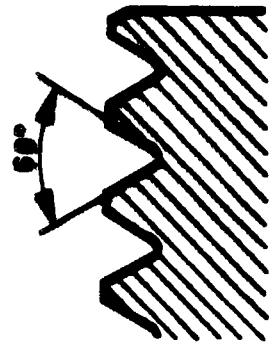
③



④

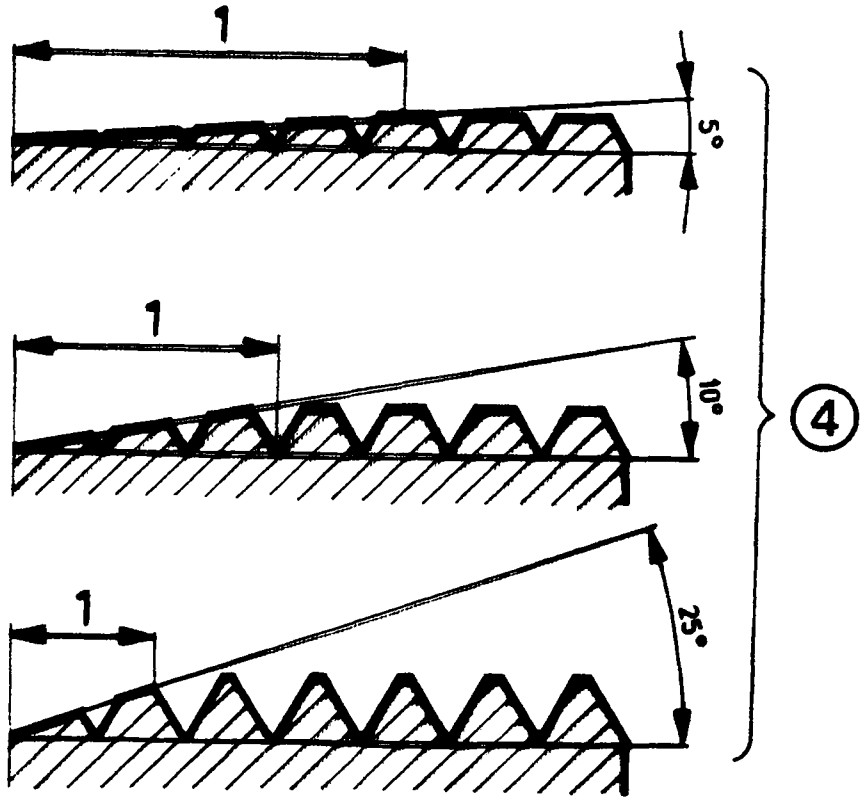
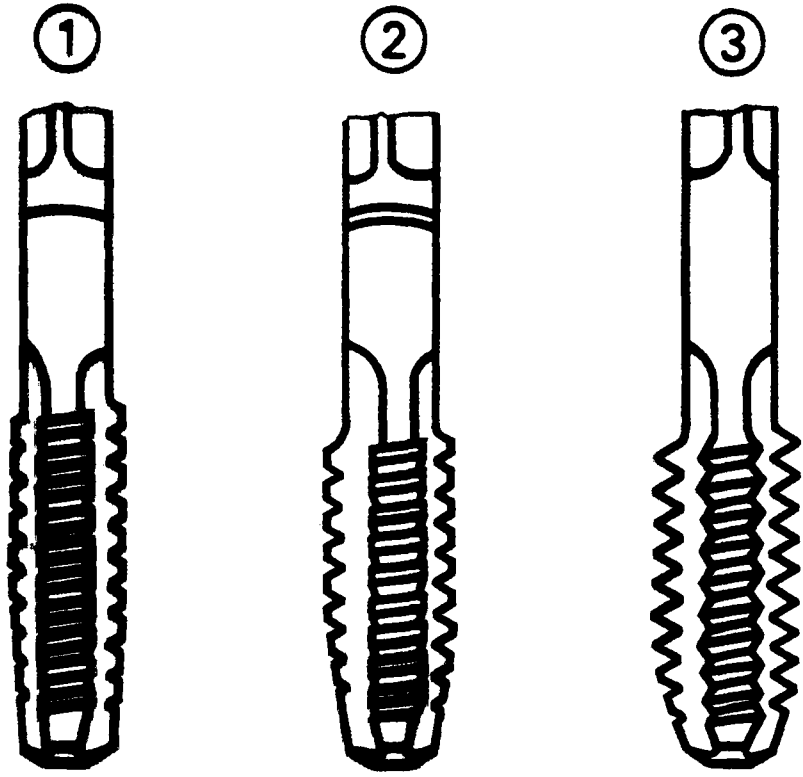


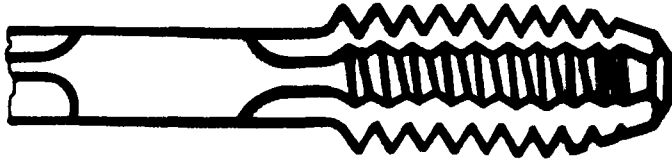
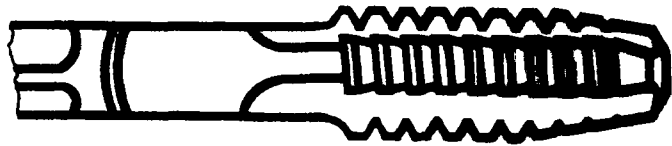
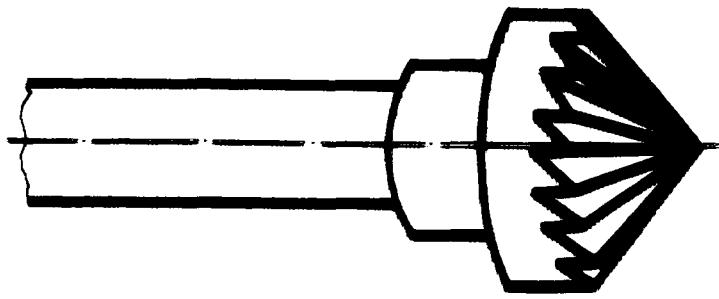
⑤



⑥







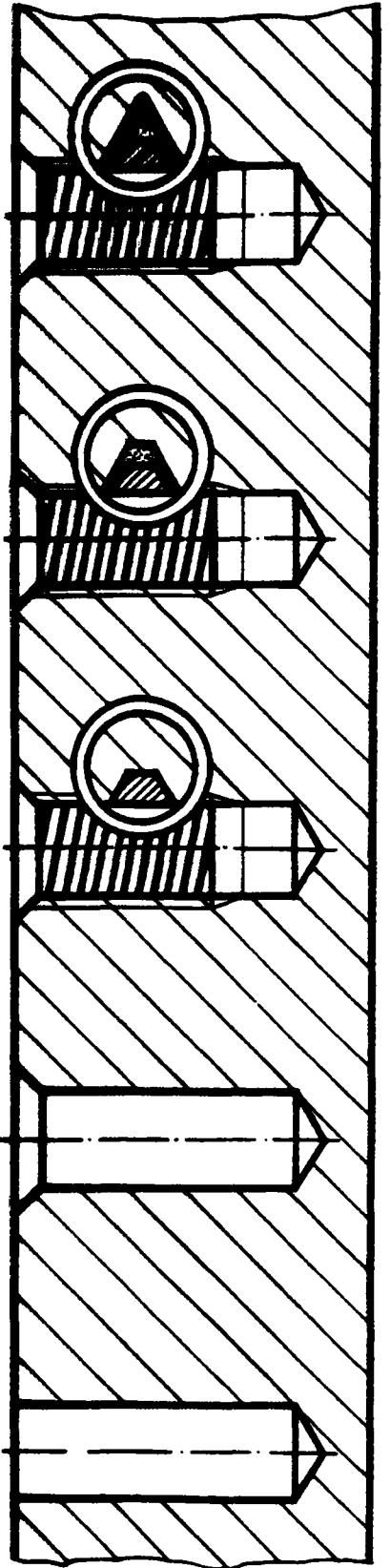
①

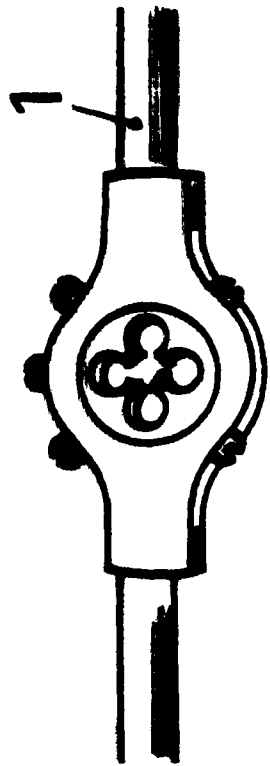
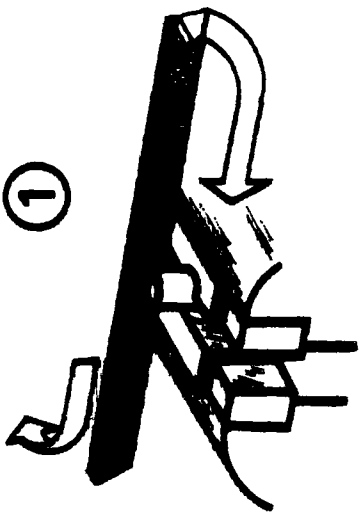
②

③

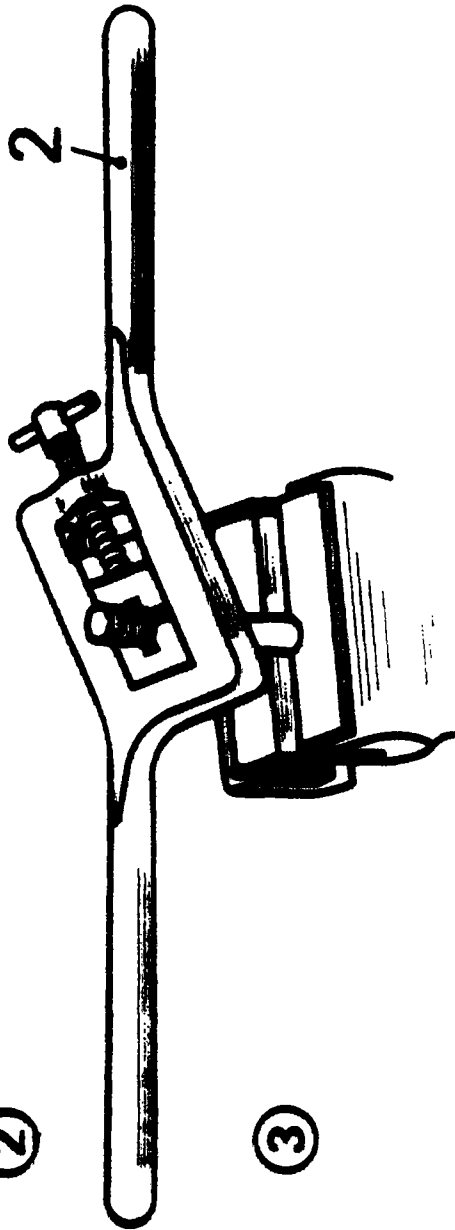
④

⑤

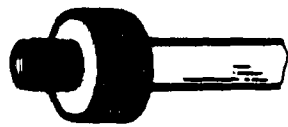




②



③





①



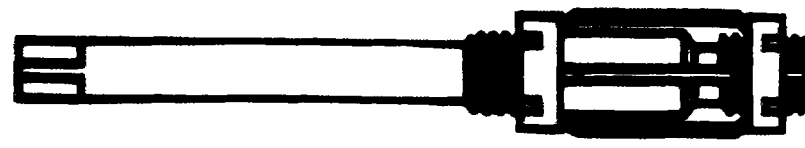
②



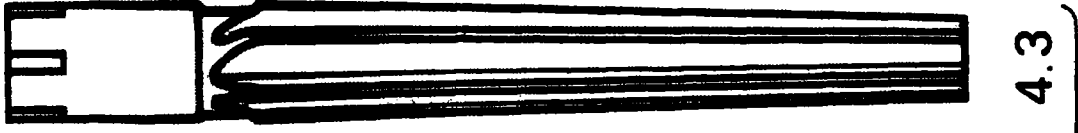
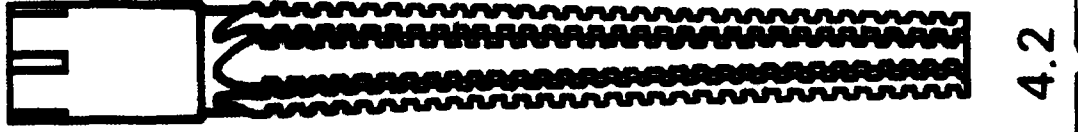
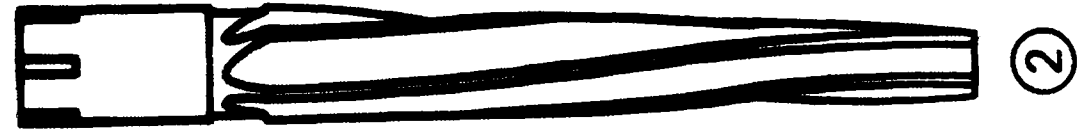
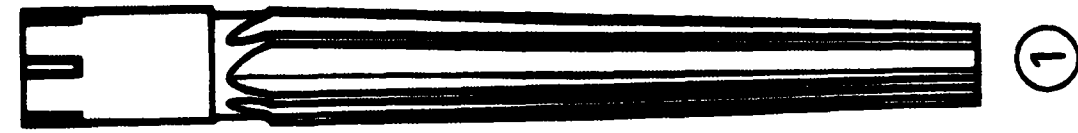
③



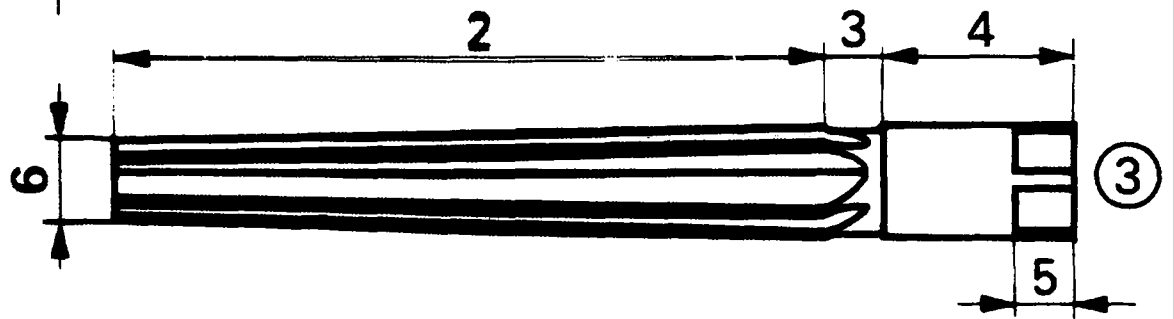
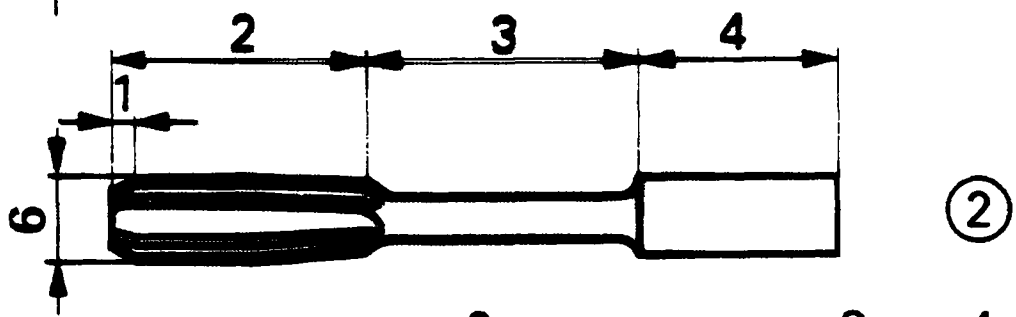
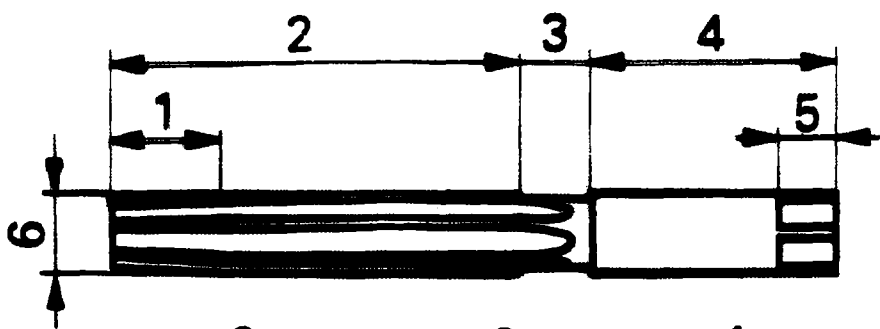
④

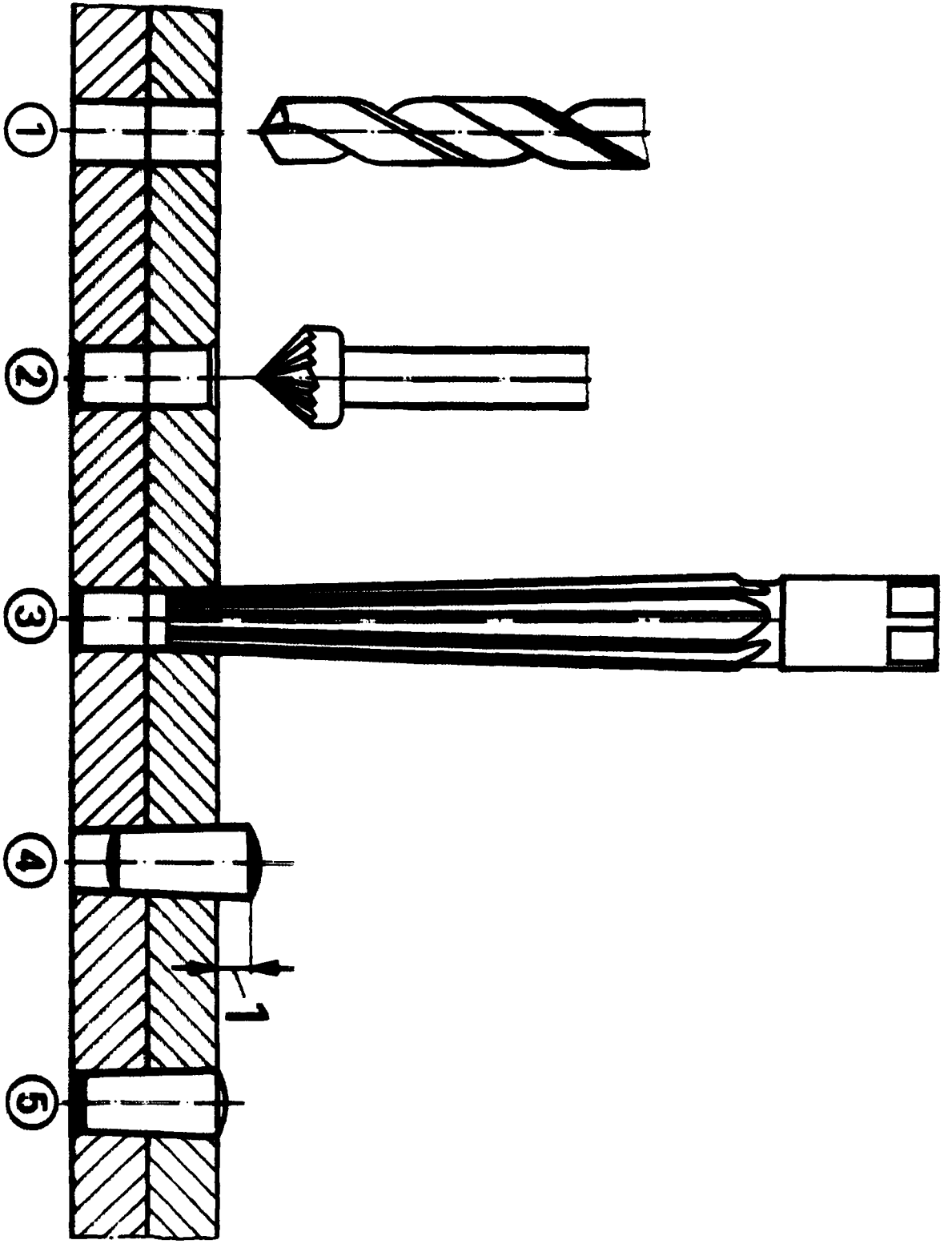


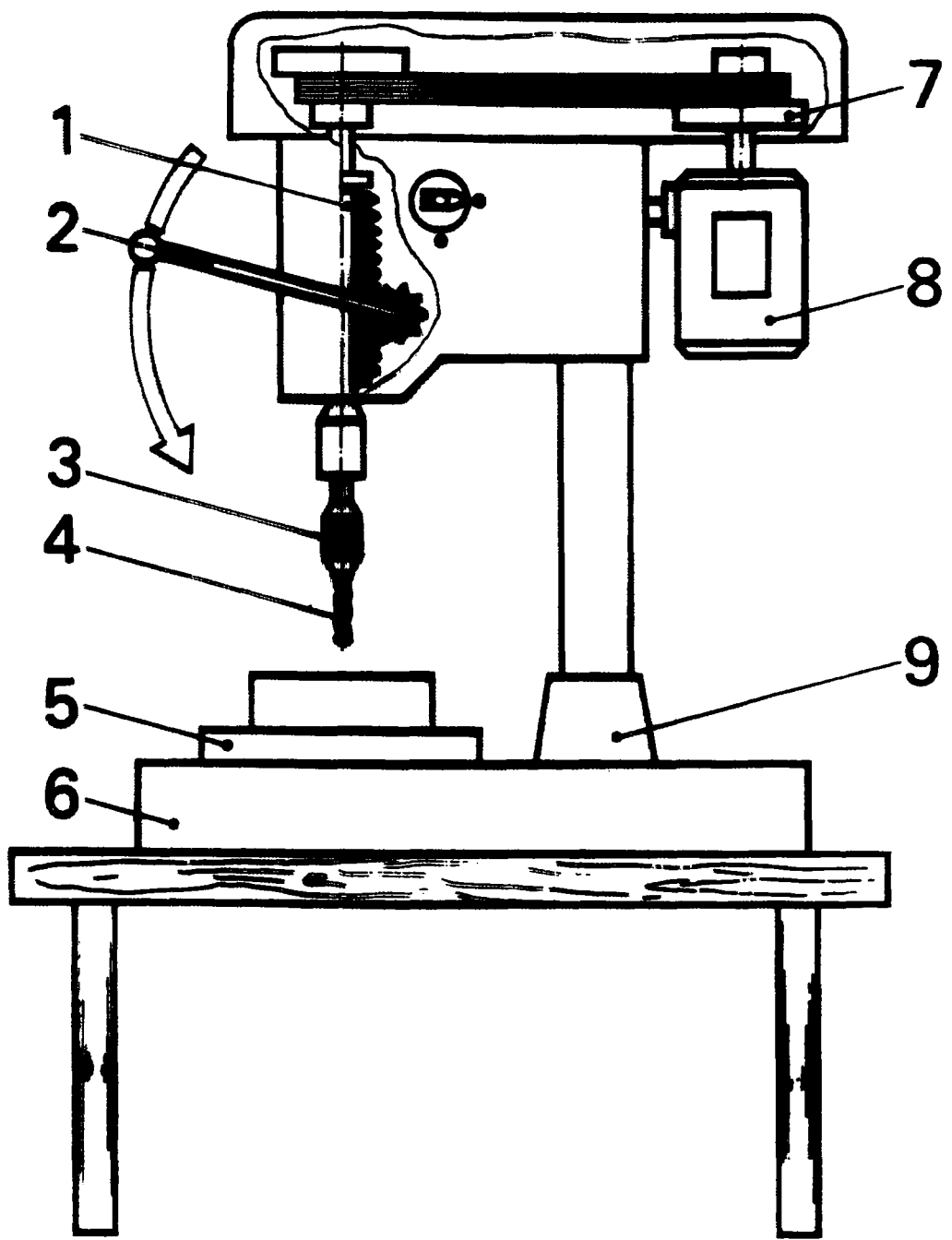
⑤



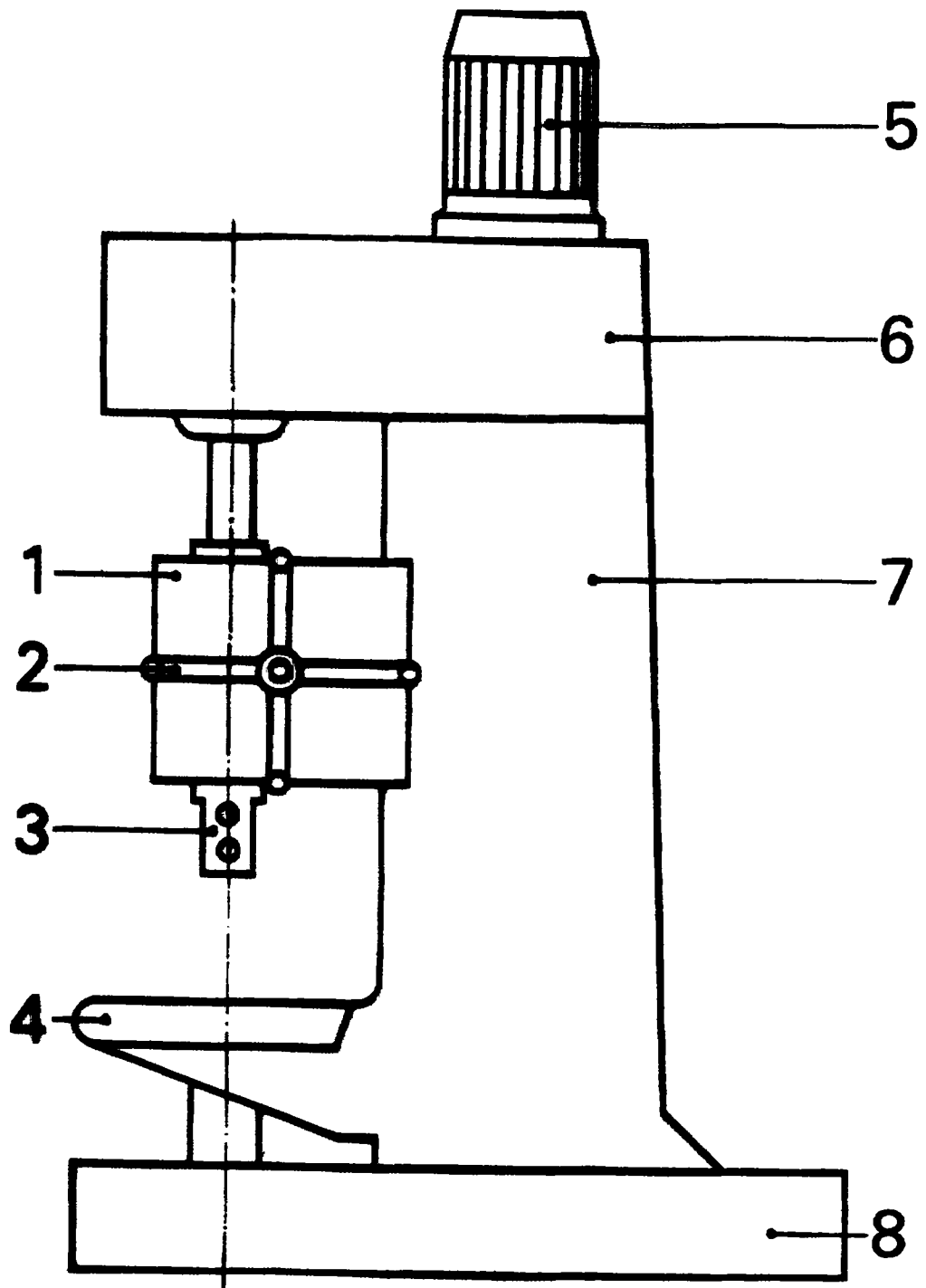
④

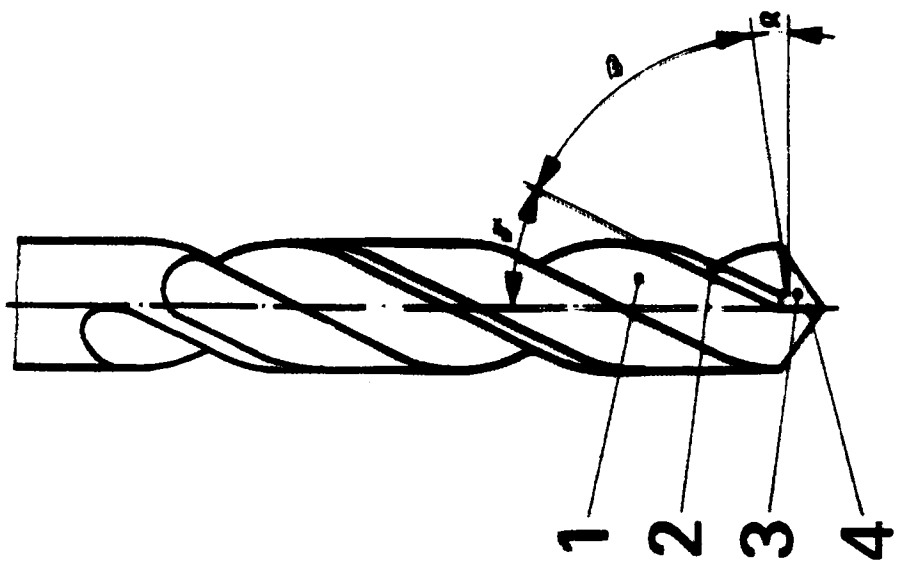
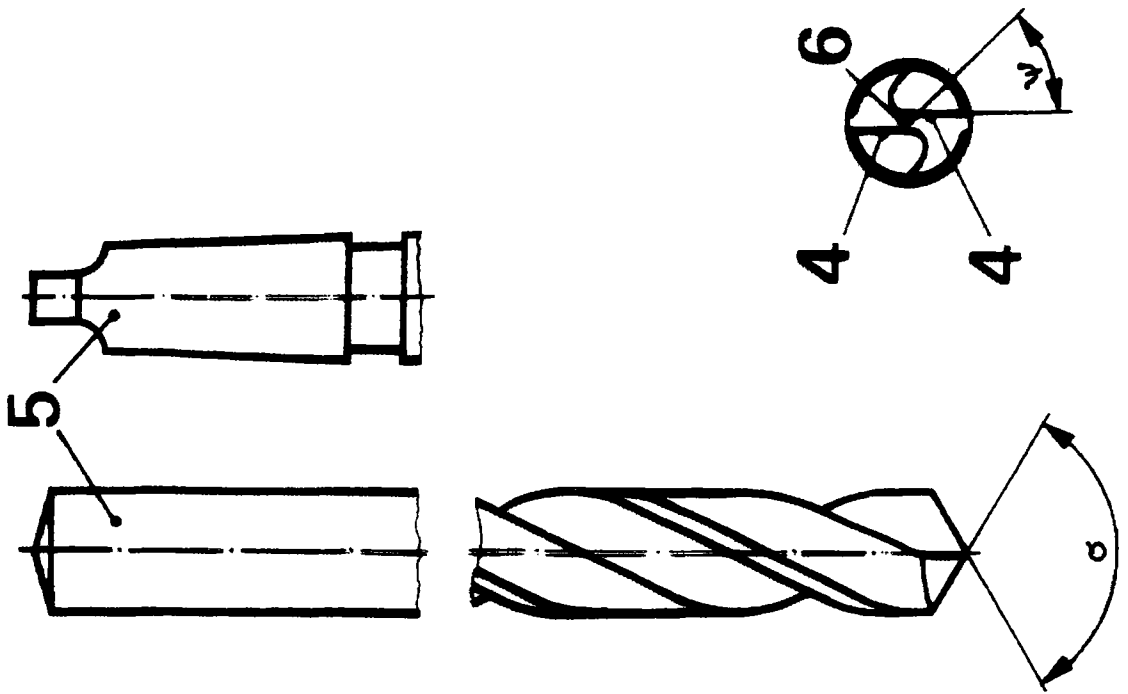


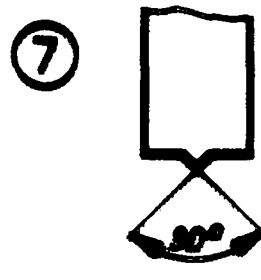
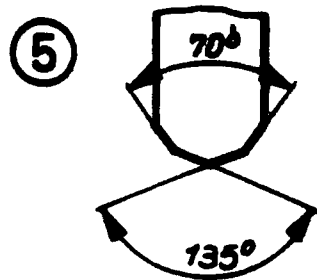
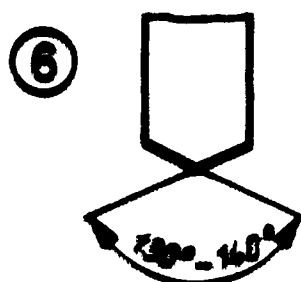
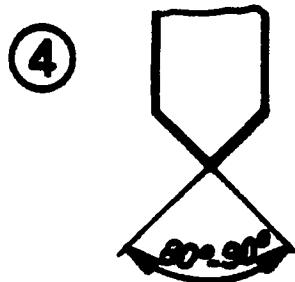


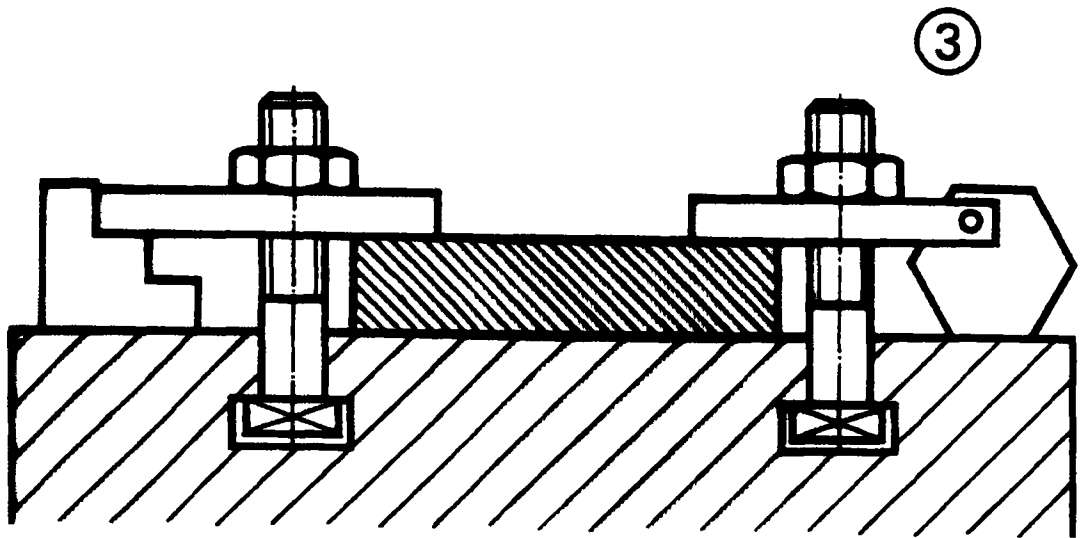
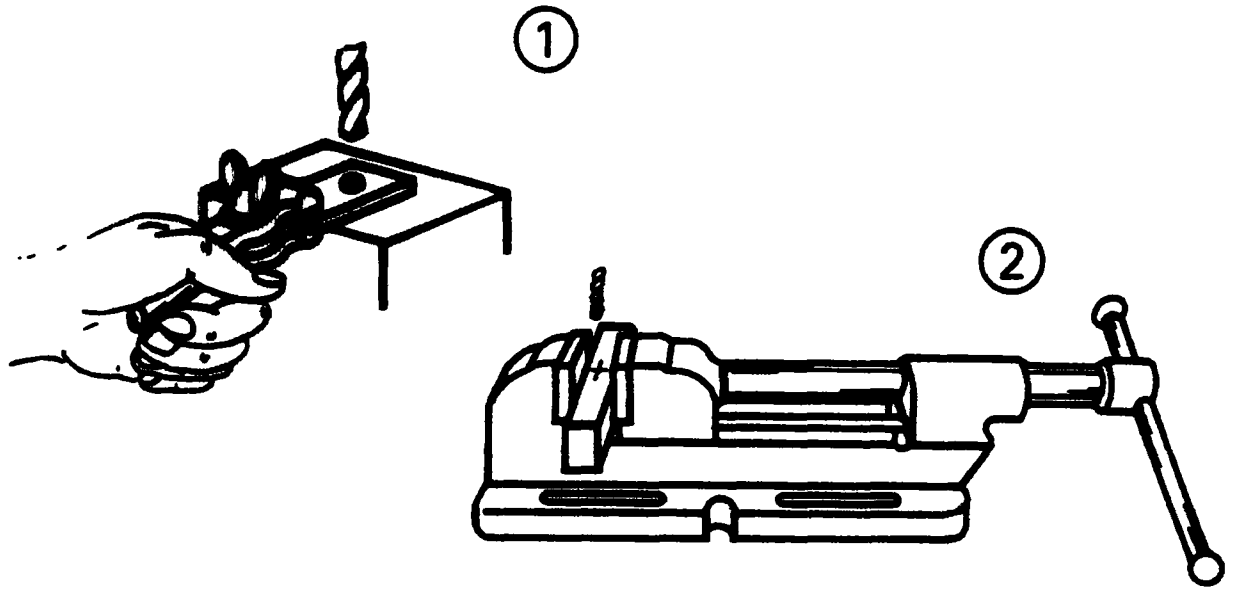


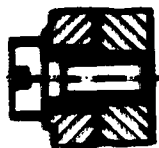
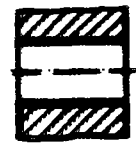
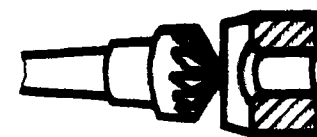
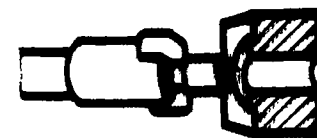
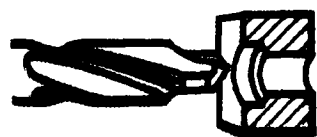












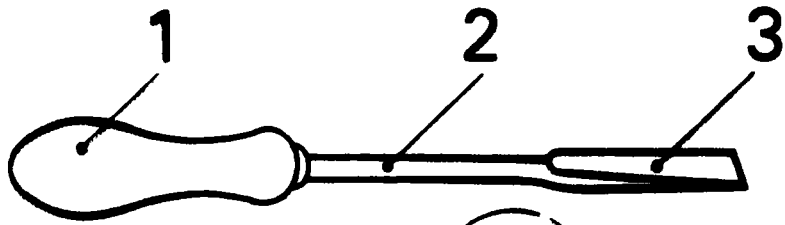
⑤

④

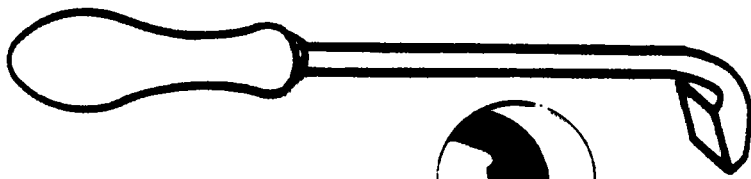
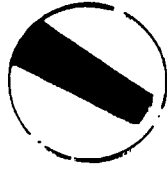
③

②

①



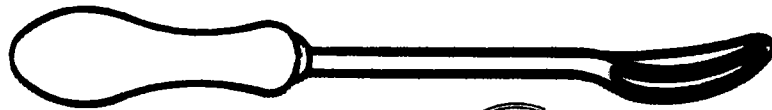
①



②



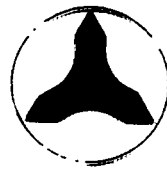
③

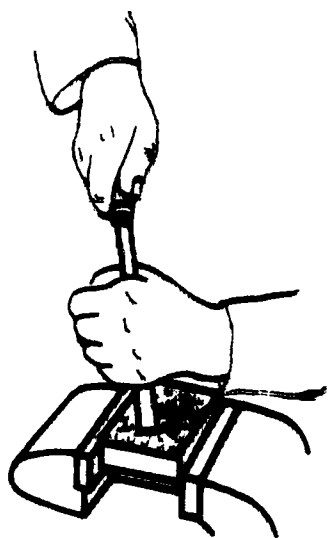


④

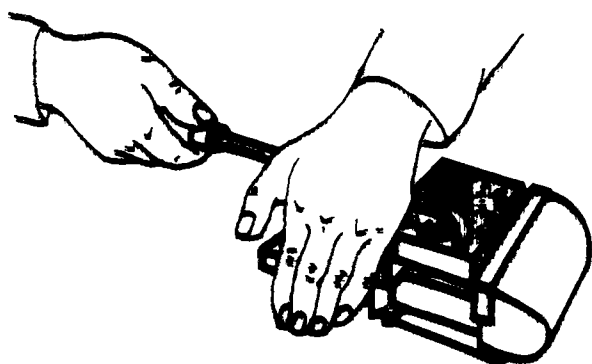


⑤

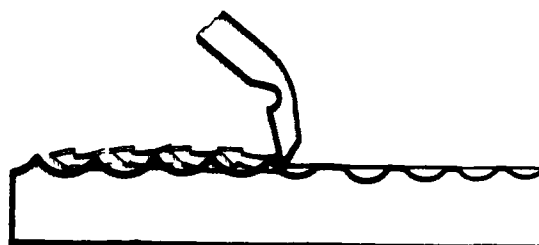


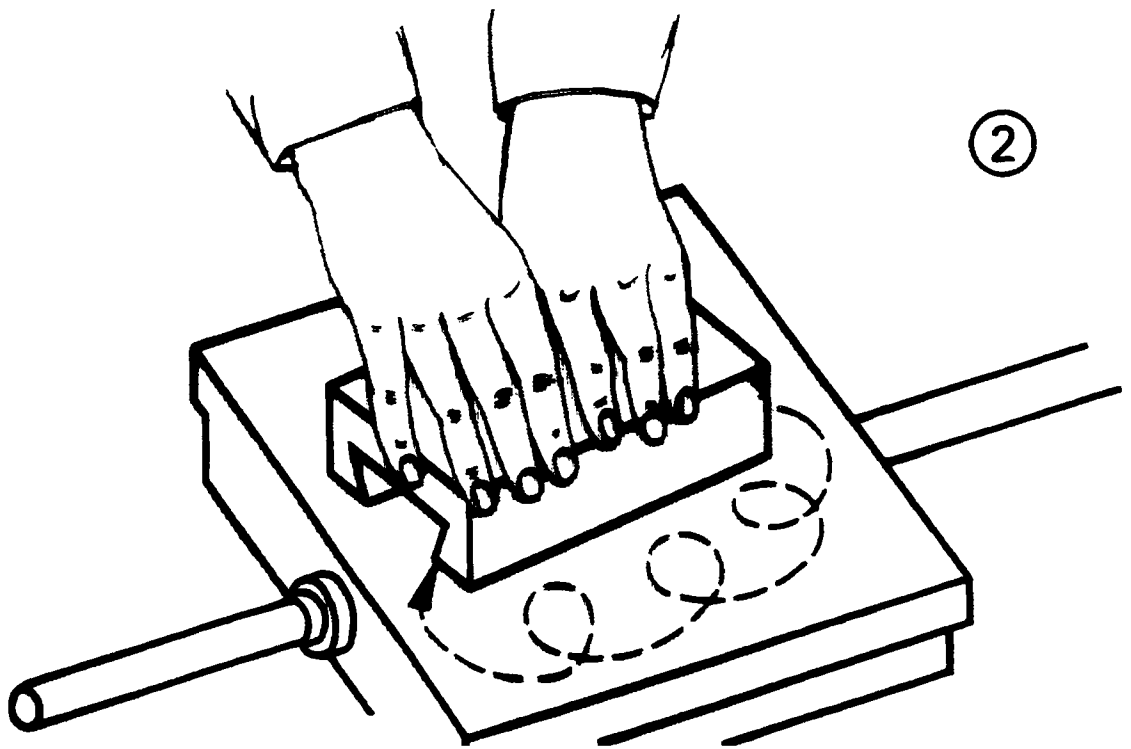
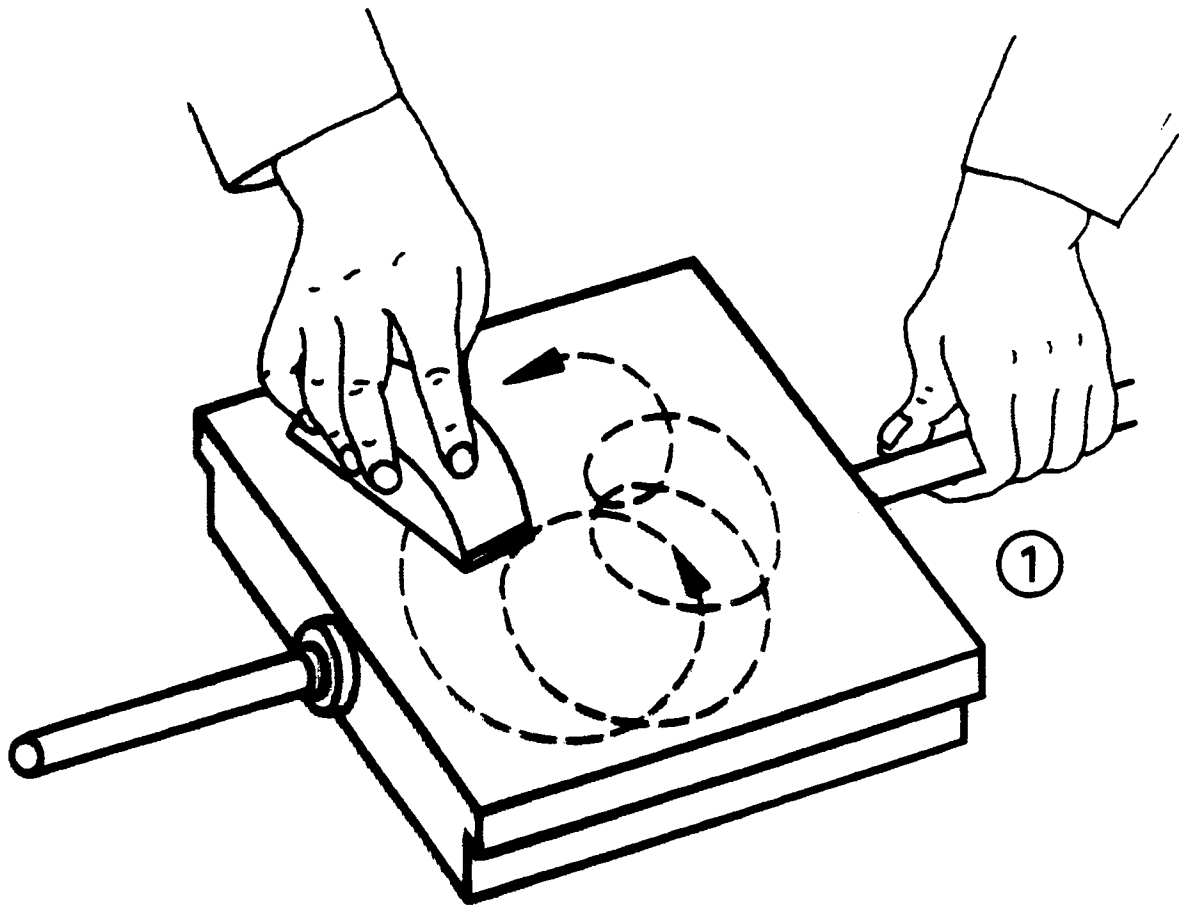


①

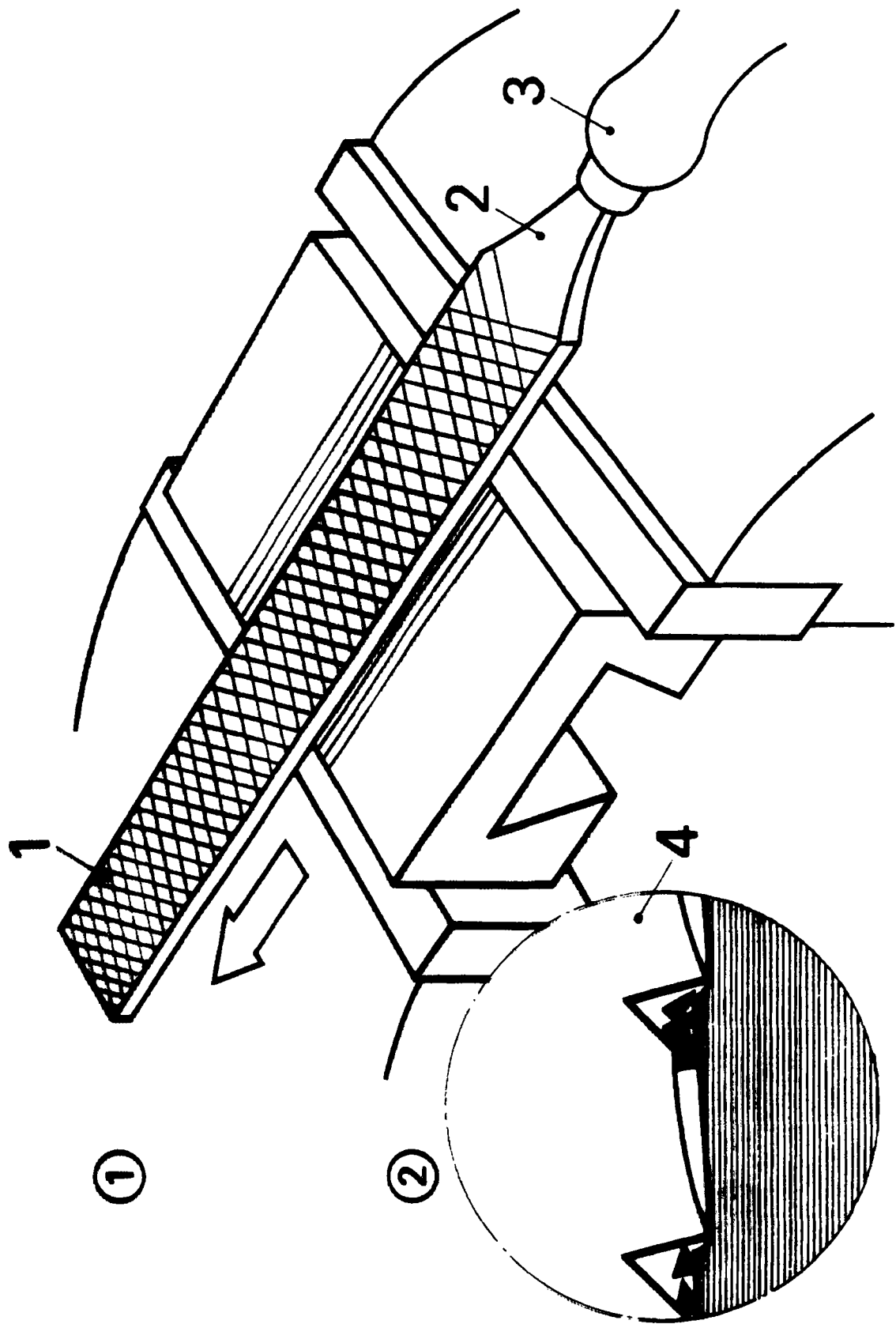


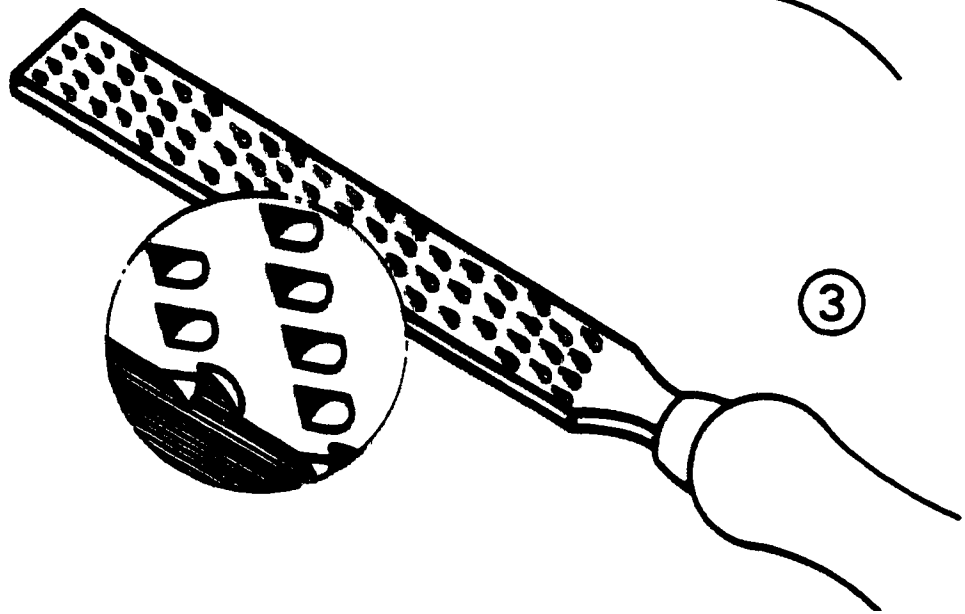
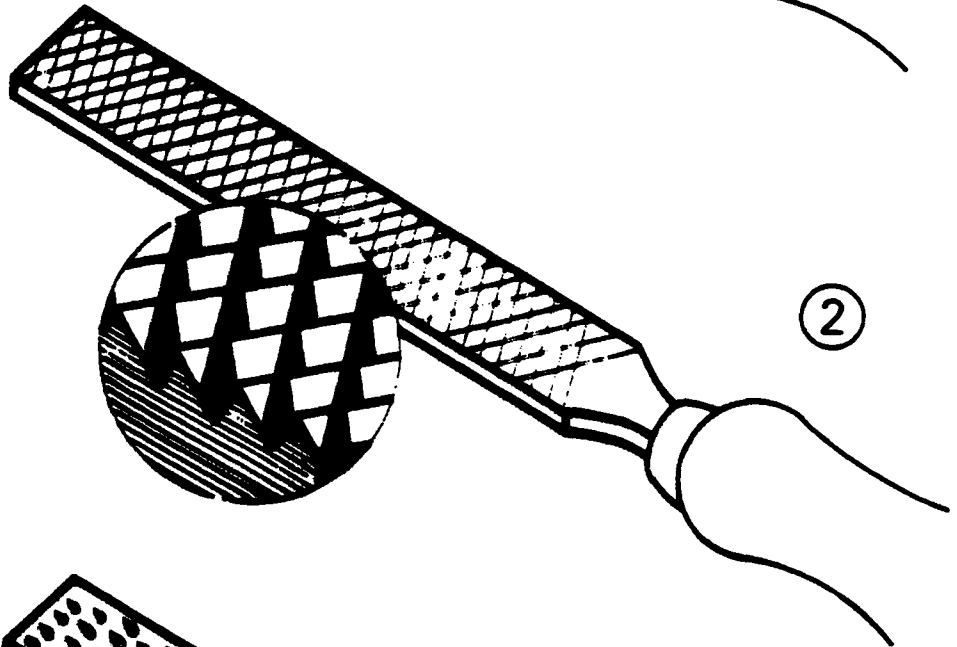
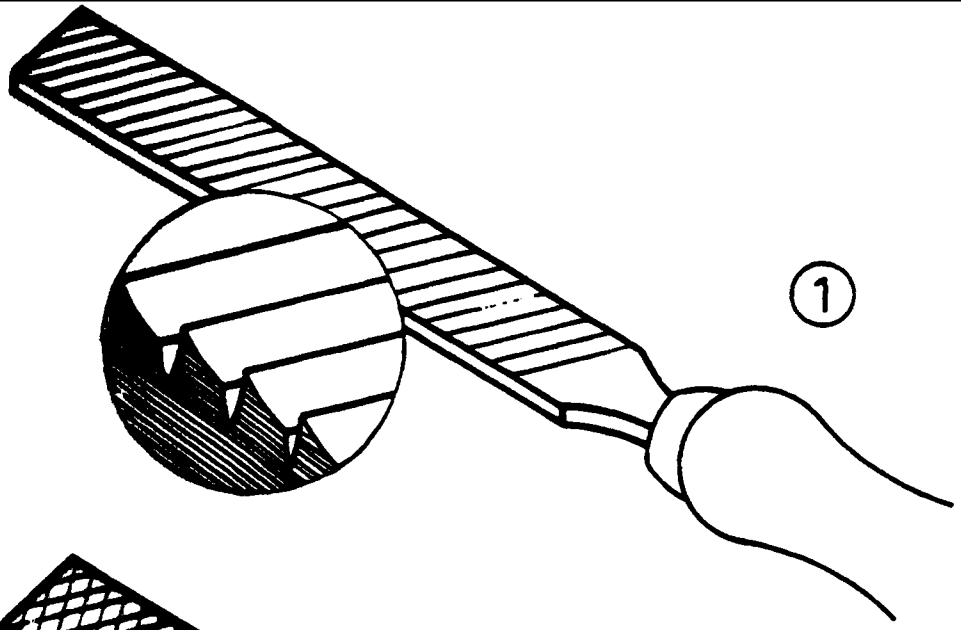
②



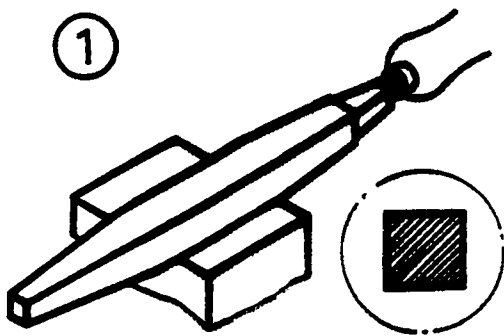




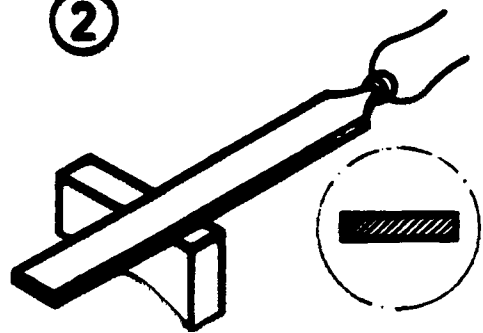




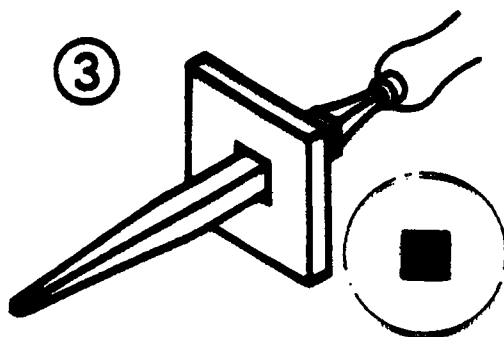
①



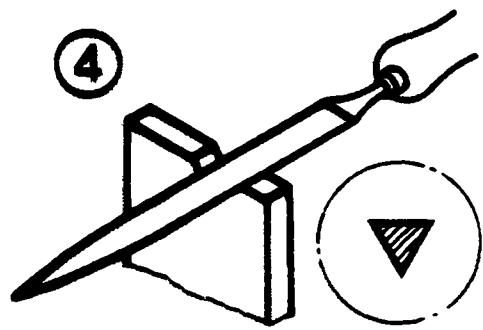
②



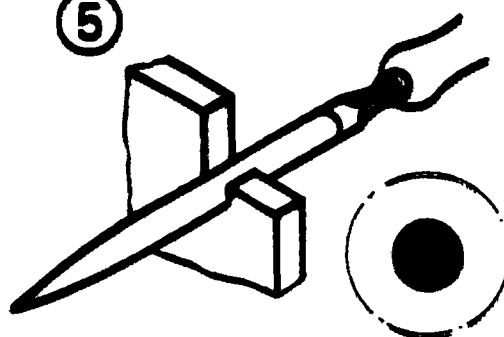
③



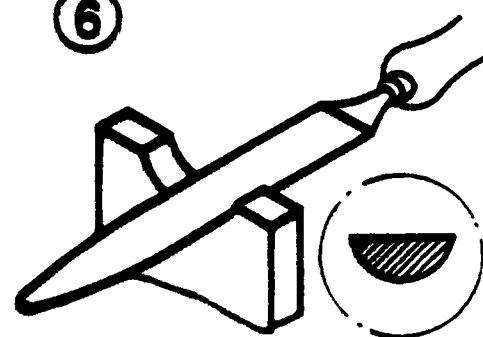
④



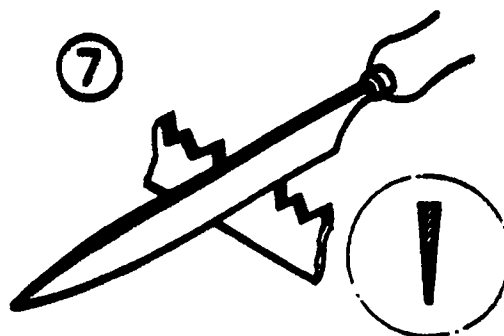
⑤



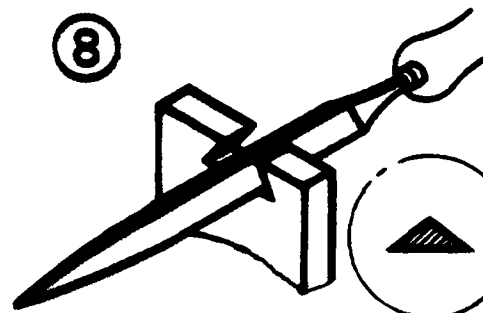
⑥

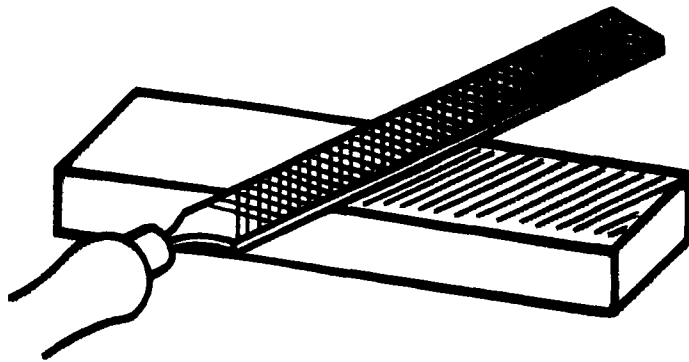


⑦

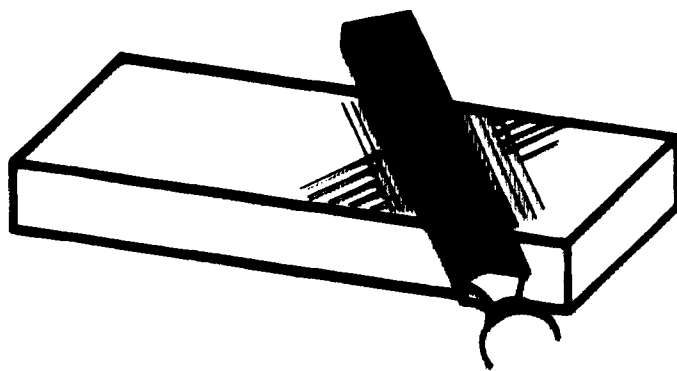


⑧

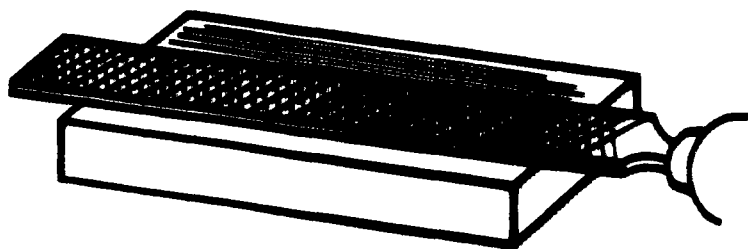




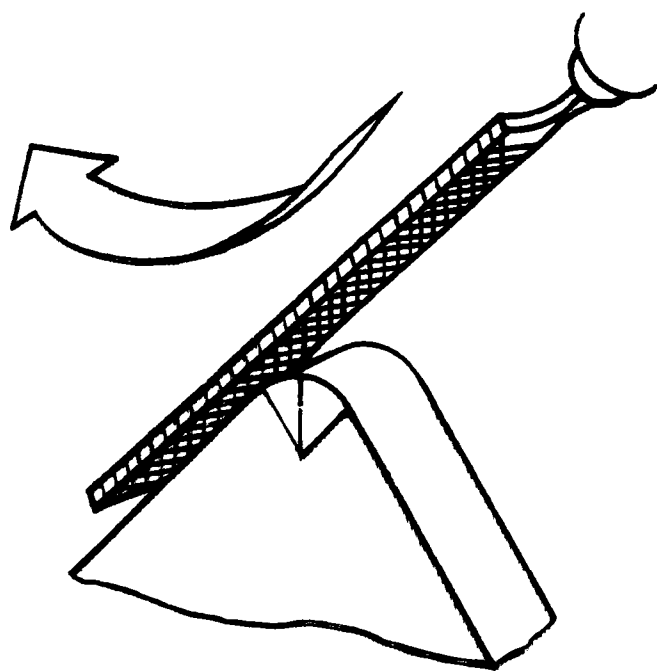
①



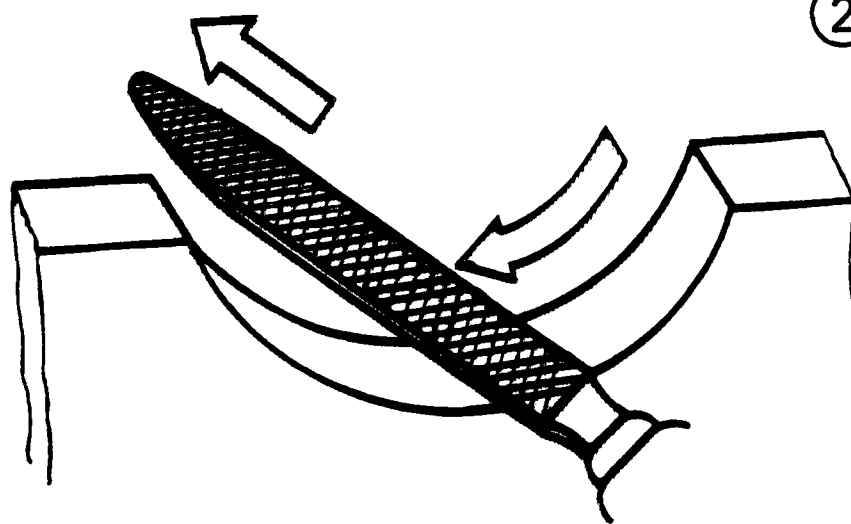
②



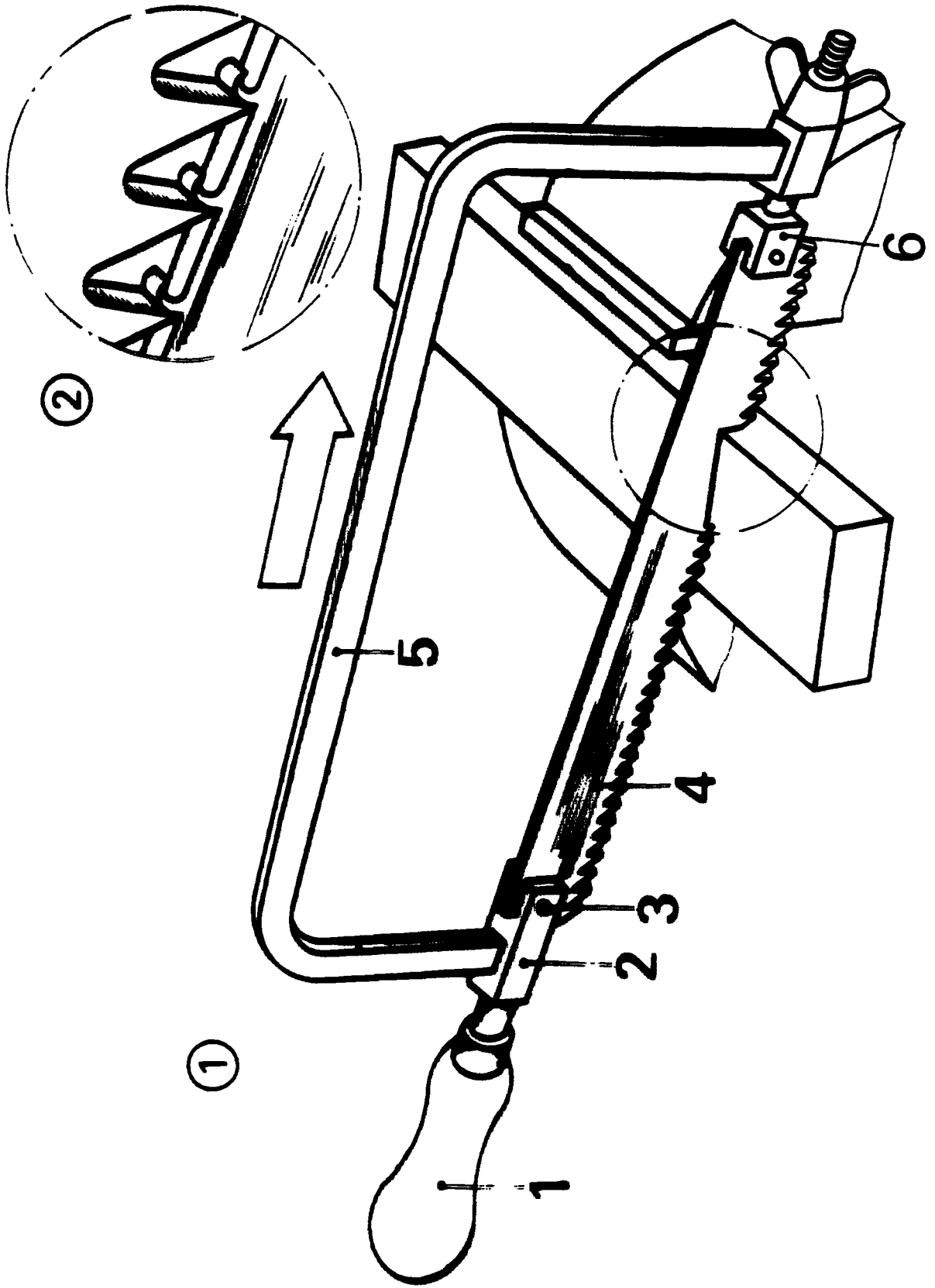
③

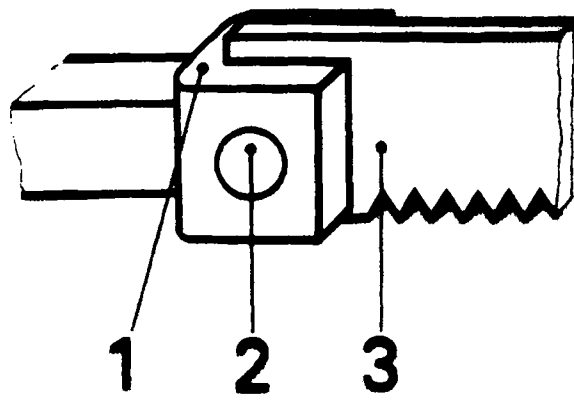


①

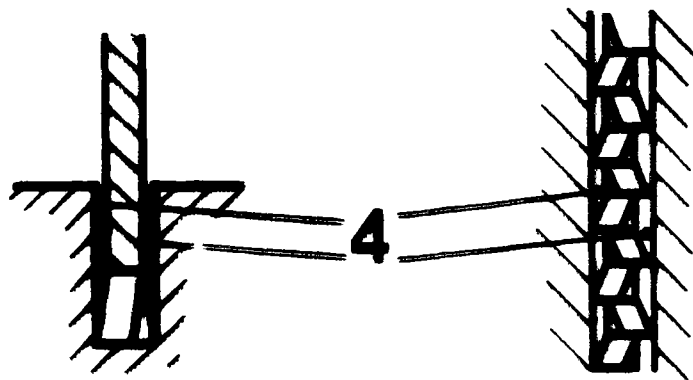


②

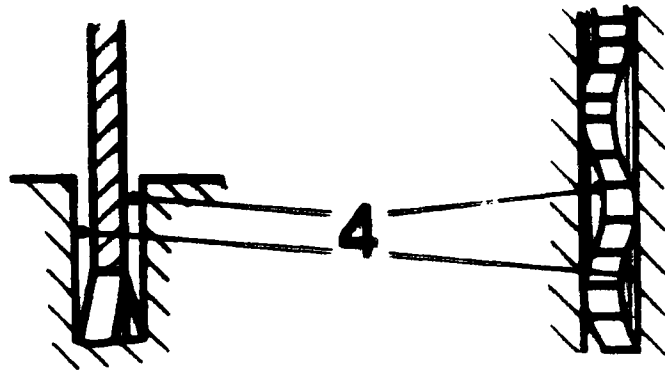




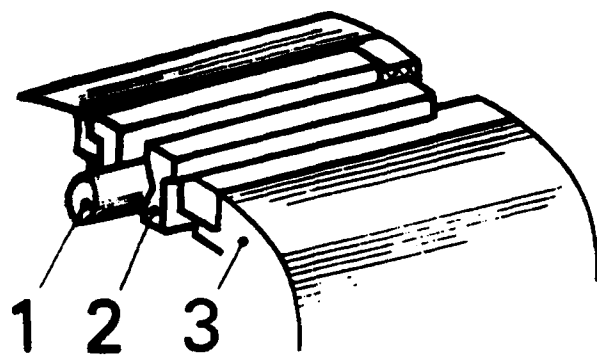
①



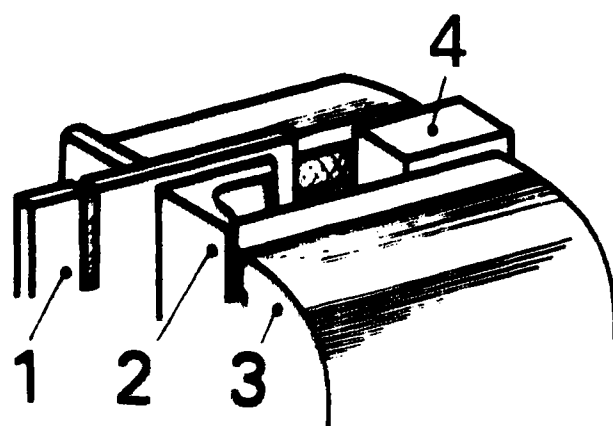
②



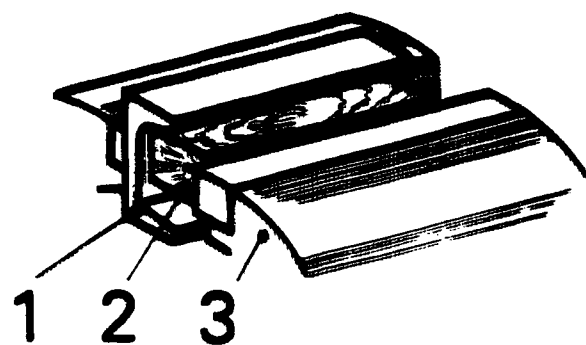
③



①

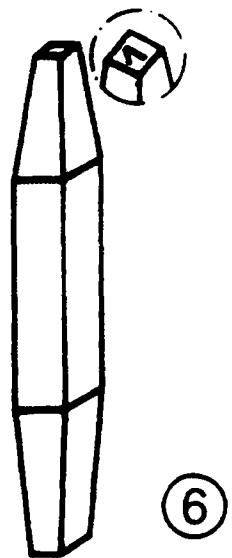
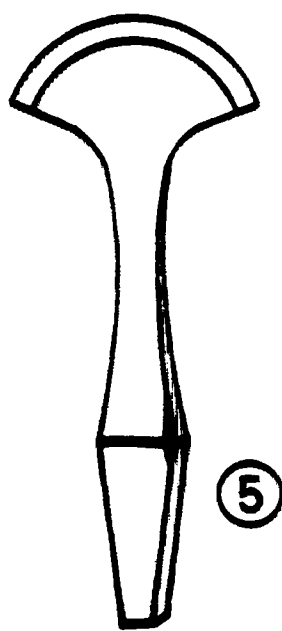
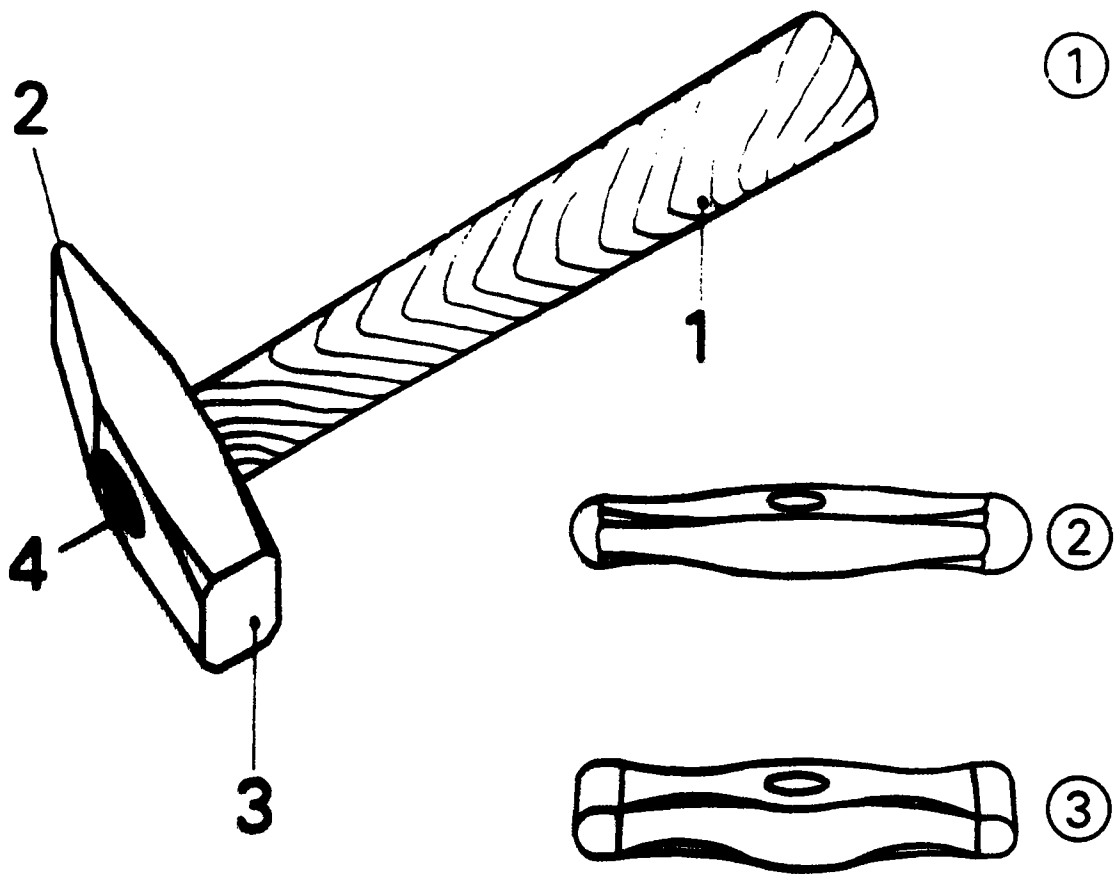


②

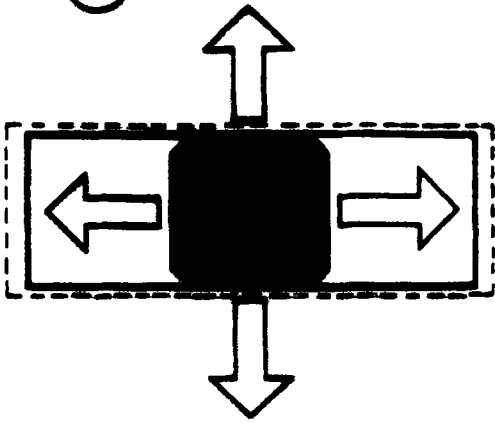


③

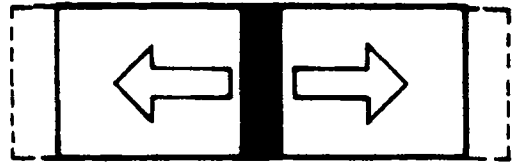




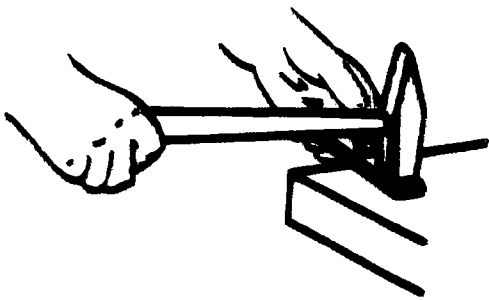
①



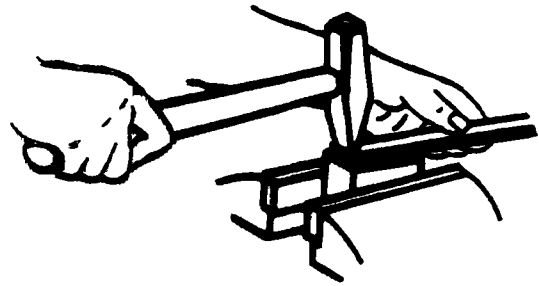
②



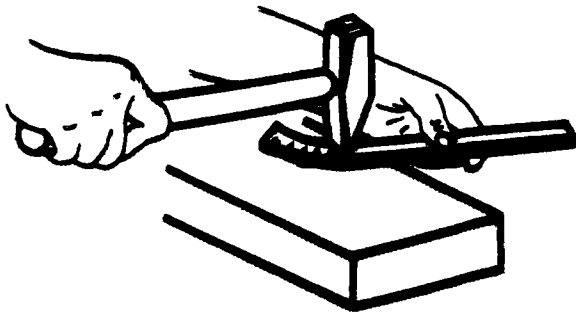
③



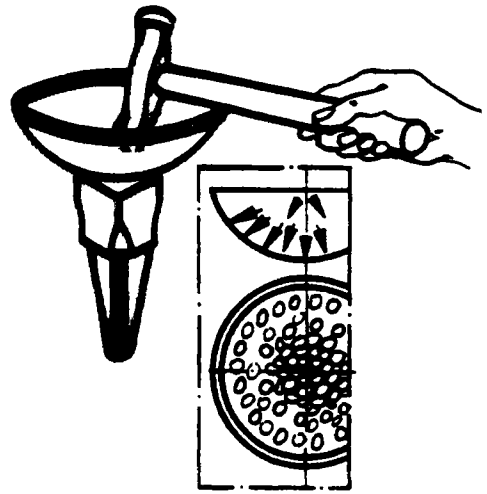
④



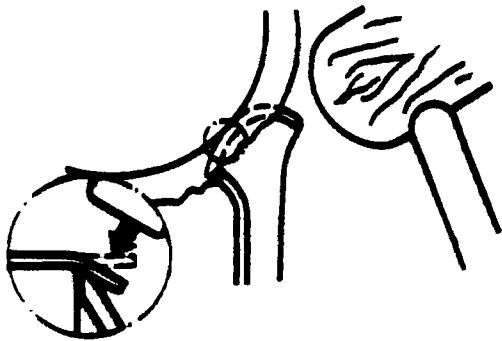
①



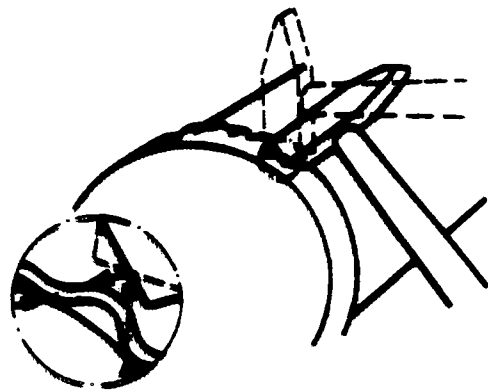
②

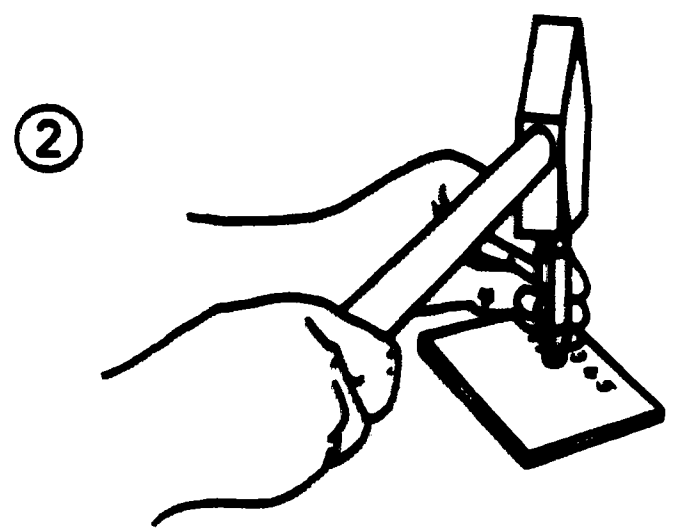
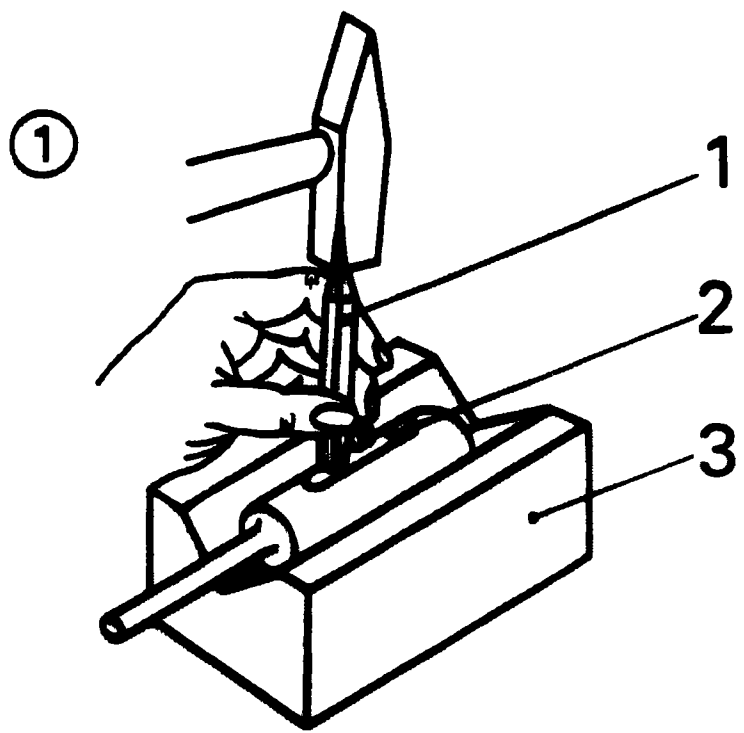


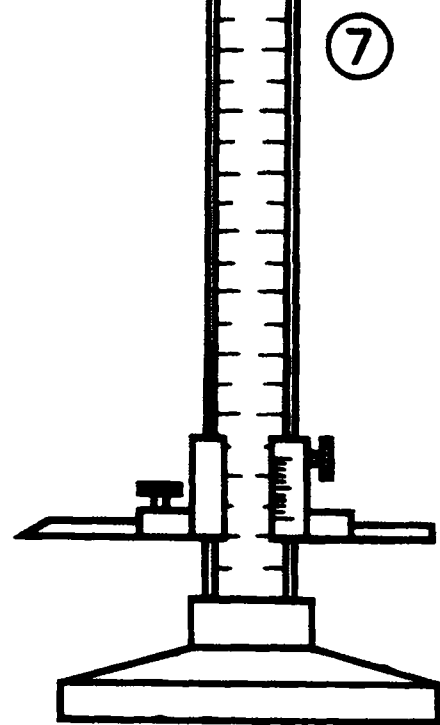
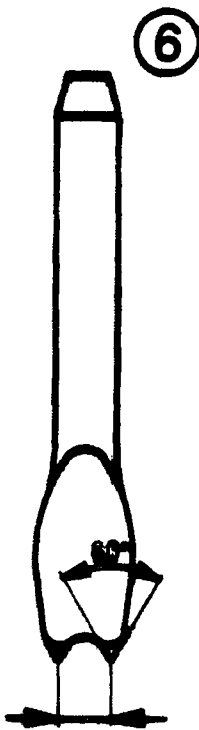
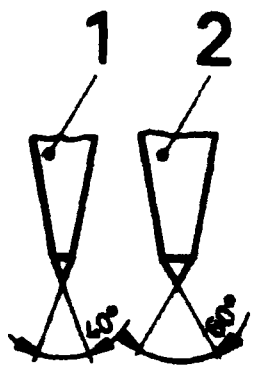
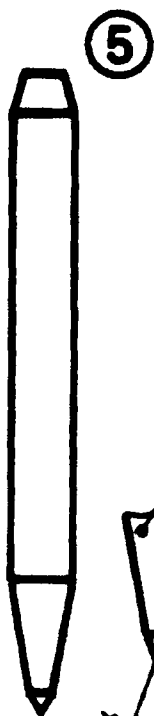
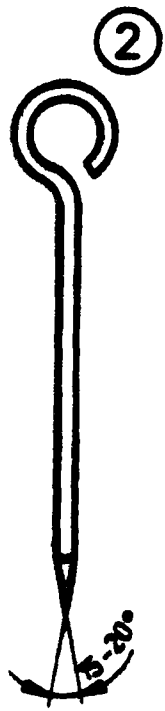
③

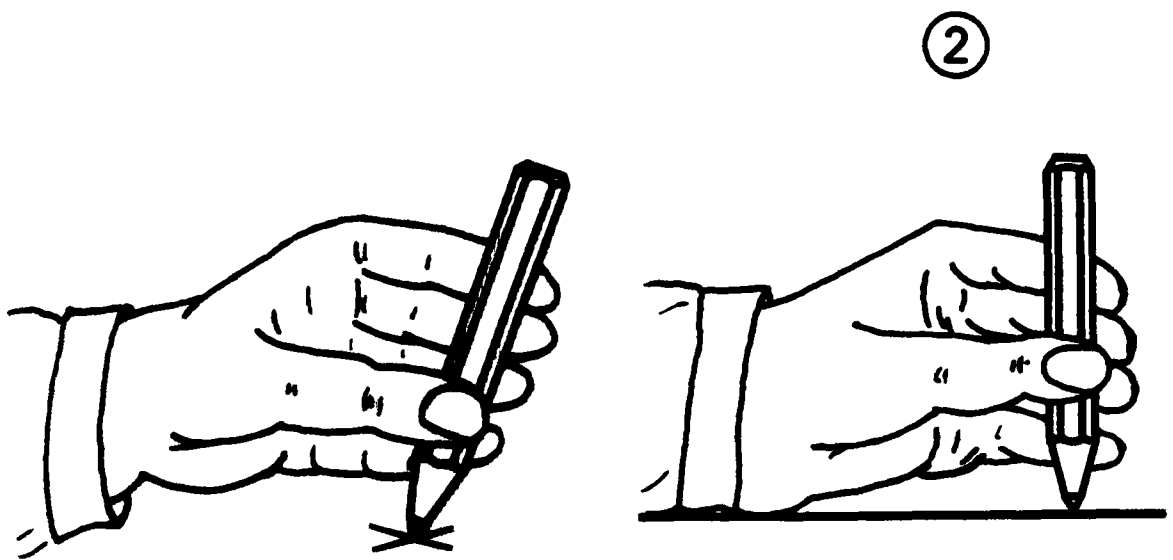
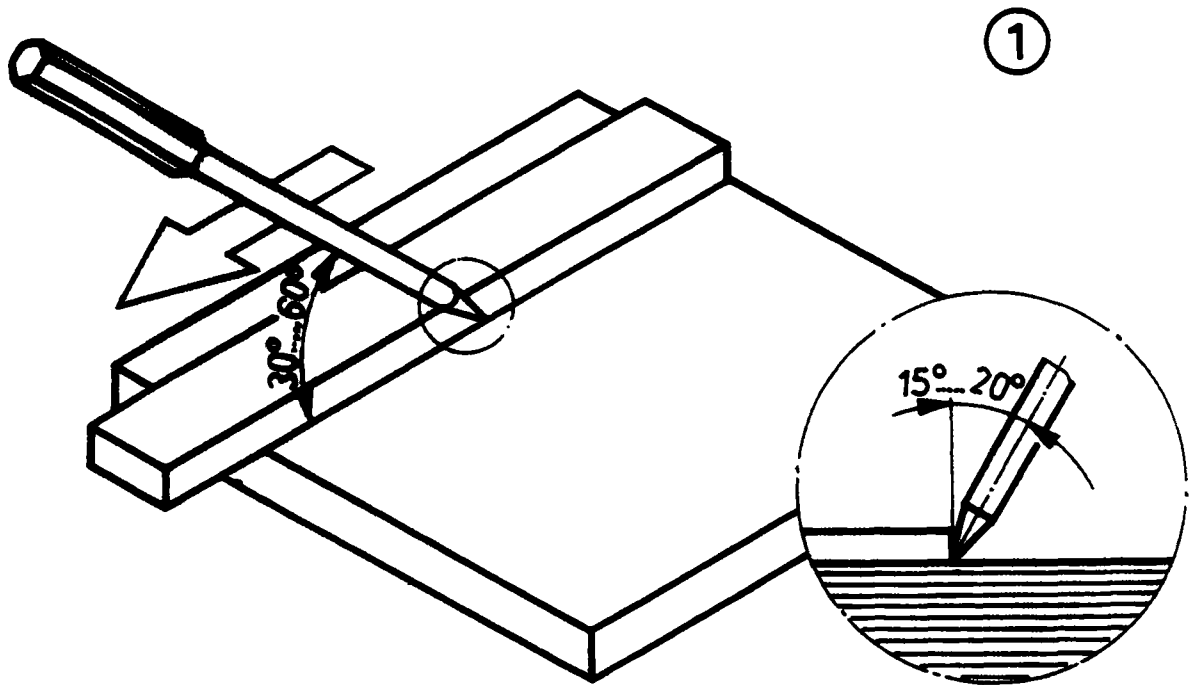


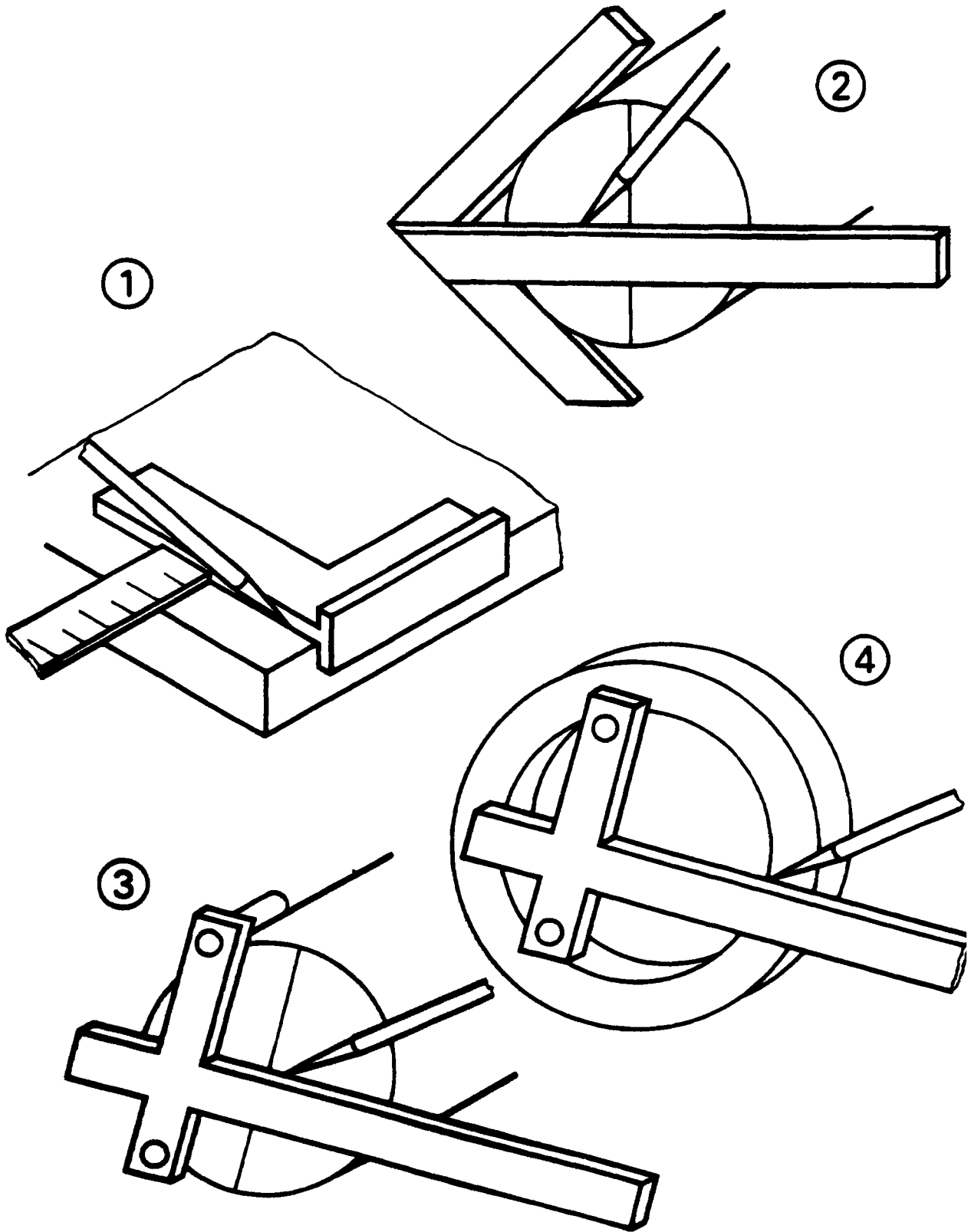
④

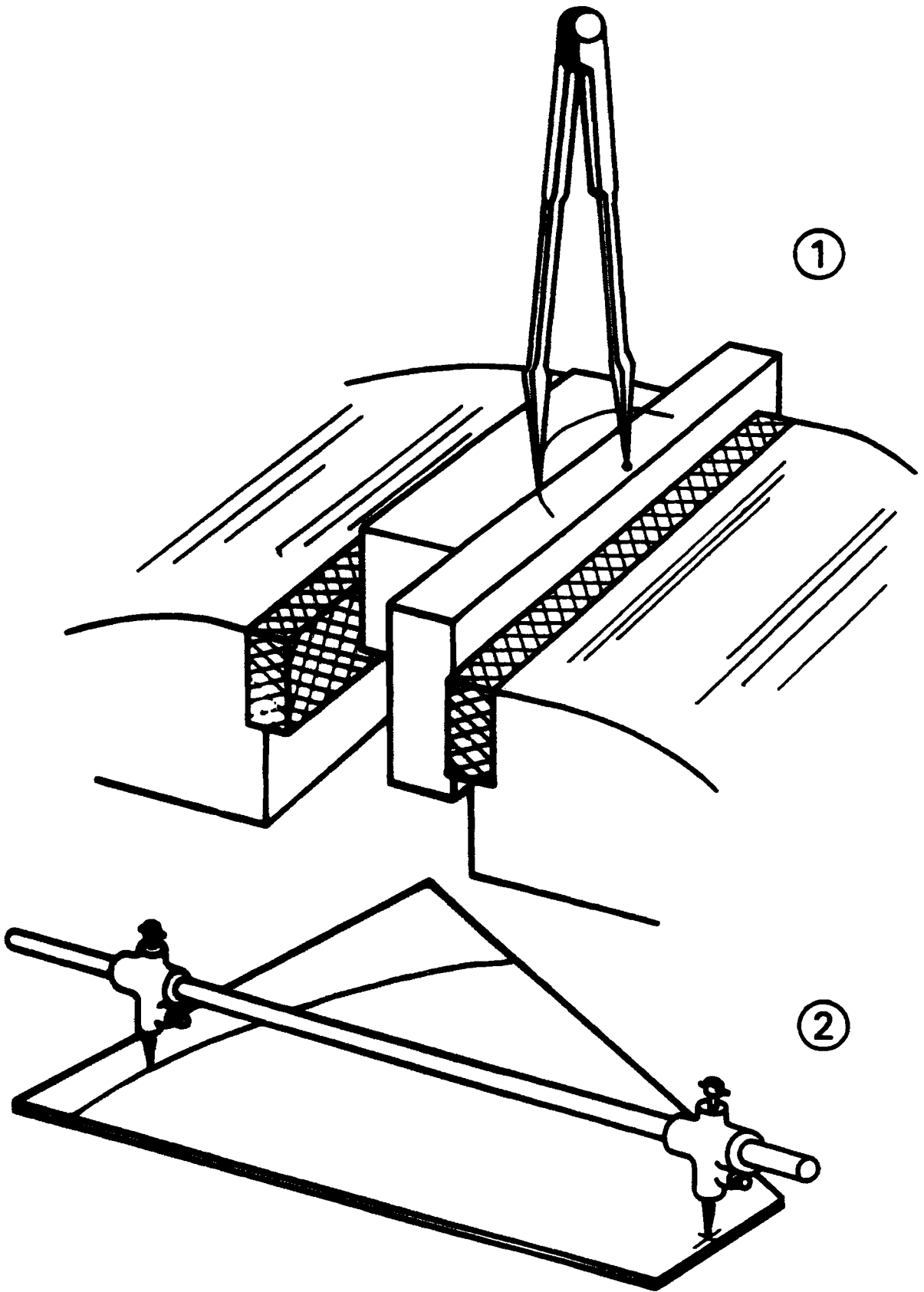




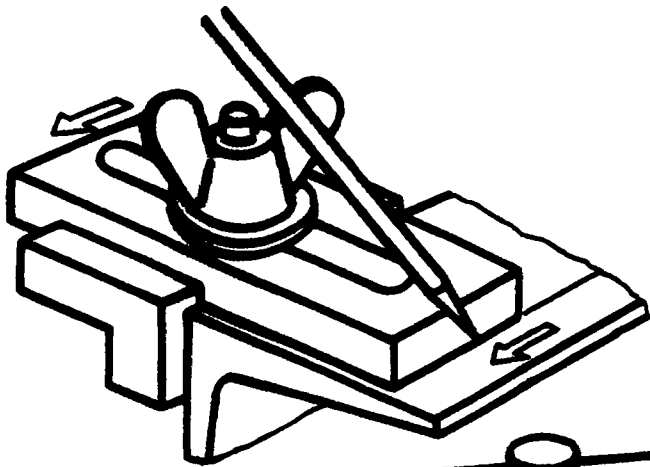




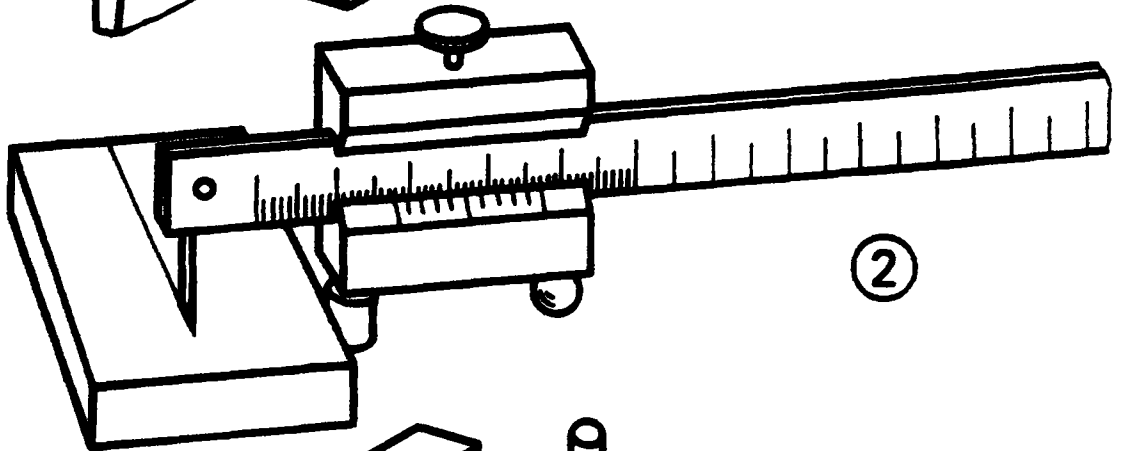




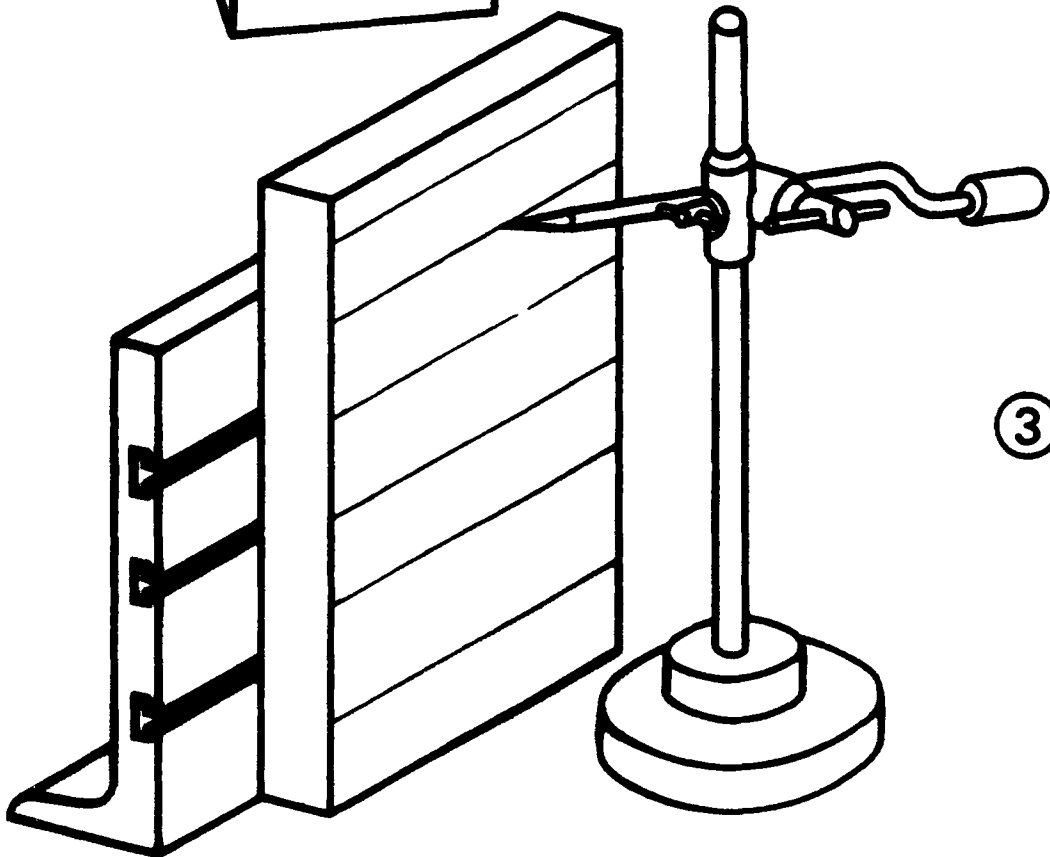




①

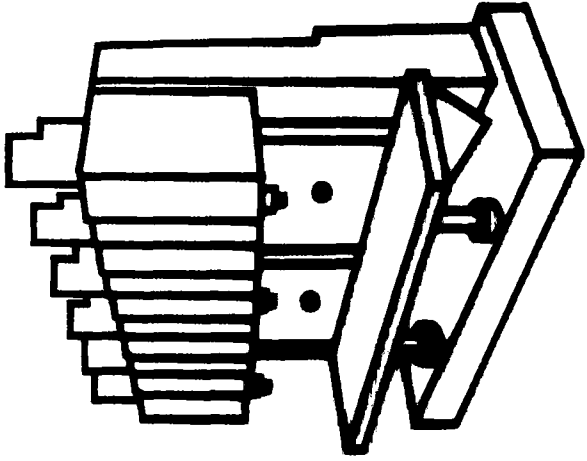


②

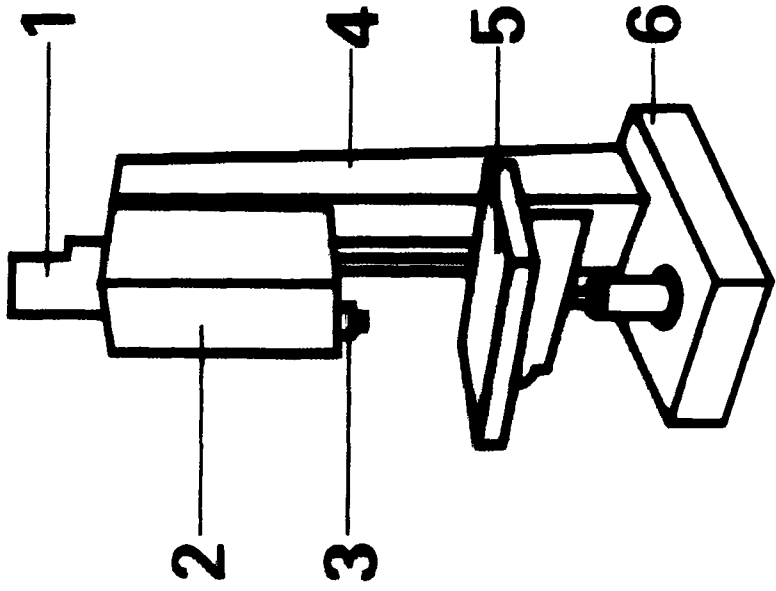


③

③



②



①

